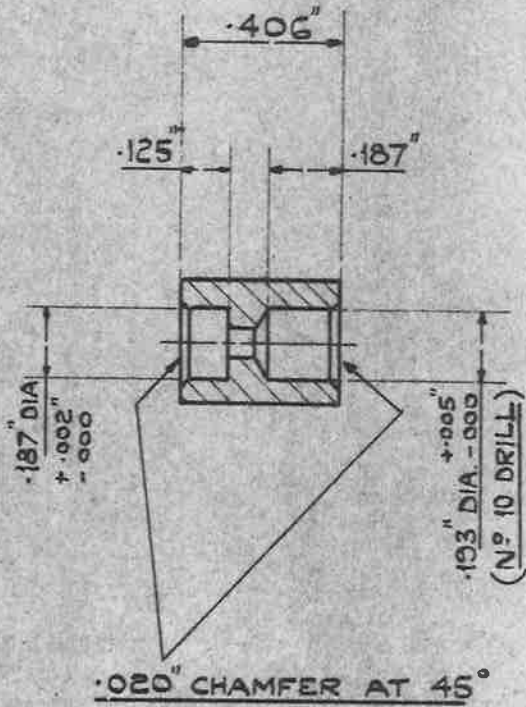


REV. AGS. 196.



MATERIAL:- "TUFNOL"

UNLIMITED DIMENSIONS TO BE WITHIN ± .005"

SCALE:- TWICE FULL SIZE.

ISSUED BY THE ROYAL AIRCRAFT ESTABLISHMENT.	TITLE:- SLEEVES, INSULATING CABLE, L.T.				DRAWN. <i>S.</i>	TRACED <i>m.p.g.</i> 1-5-42.
	ISSUE N ^o	<i>XM</i>	2		CHECKED G.h.M.	APPROVED <i>[Signature]</i> 5-5-42
	ALTERS N ^o	<i>AGS</i>	553			

EM459

SAME AS ROTAX. N.71131 & ROLLS. D.18005.

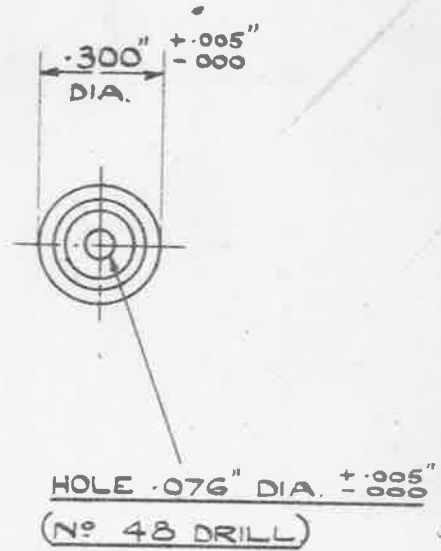
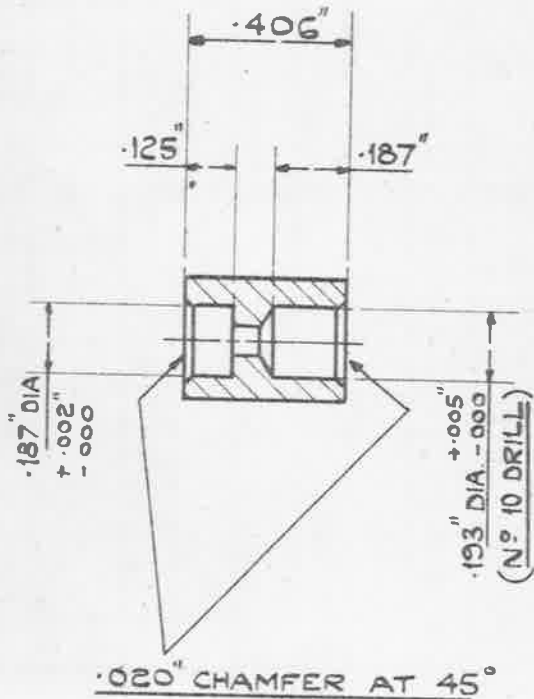
MINISTRY OF
SUPPLY

AGS. N^o 1711.

SHEET N^o 1

N^o OF SHEETS 1.

OBSOLESCE - NOT TO BE USED
IN NEW DESIGN WORK. SEE S.D.M. 267



MATERIAL :- "TUFNOL"

UNLIMITED DIMENSIONS TO BE WITHIN ± .005"

SCALE :- TWICE FULL SIZE.

ISSUED BY THE
ROYAL
AIRCRAFT
ESTABLISHMENT.

TITLE:-
SLEEVES, INSULATING CABLE, L.T.
SN.459 SM780

ISSUE N ^o	1	2	3		
ALTERN ^o N ^o	<small>Mod No</small> 155/456	<small>AS/AGS</small> 853	<small>MOD/ACS</small> 974		

DRAWN.

[Signature]

CHECKED

G.H.M.

TRACED

m.p.d
1-5-42

[Signature]
5-5-42