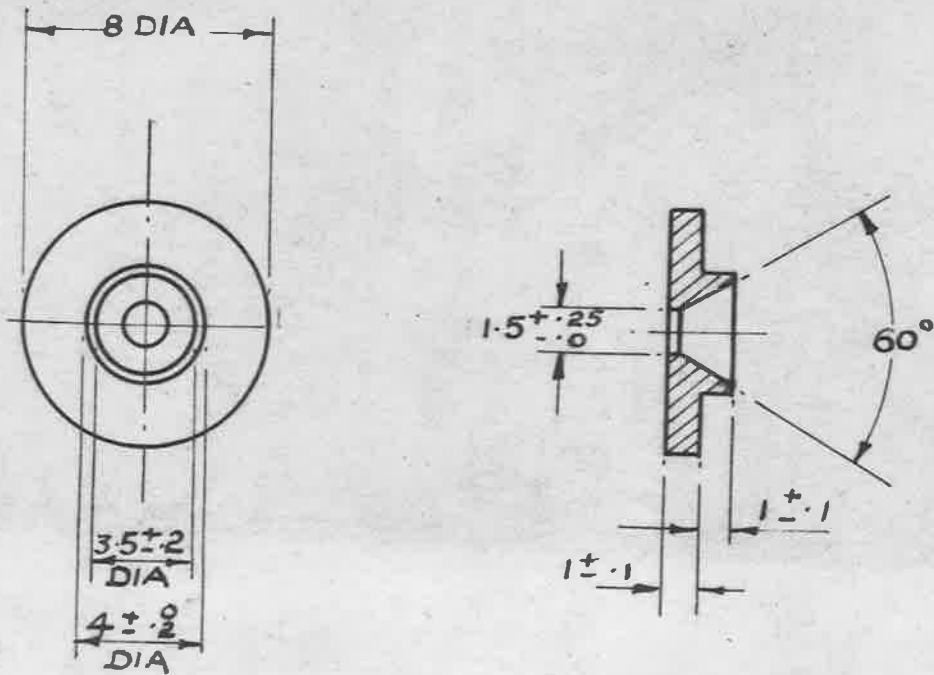


SAME AS SIMMS F.50561

MAP. AGSN°1713

SHEET N°1 N° OF SHEETS 1



MAT: - BRASS B.S. SPEC. B 249 OR B.S. SPEC 251

FINISH - ELECTRO-TINNED, THICKNESS NOT LESS THAN .0002

DIMENSIONS ARE IN MILLIMETRES

SCALE 4/1

ISSUED BY DRAWING OFFICE DIRECTORATE OF TECHNICAL DEVELOPMENT M.A.P.	TITLE L.T. CABLE END				DRAWN	RE TRACED 30.10.44 E. MAITLAND
	ISSUE NO	1	2	3	CHECKED	APPROVED
	ALTERN. NO	MOD. NO. AMEND. AS NO. AGS 516/AGS/300 AGS 703				[Signature]