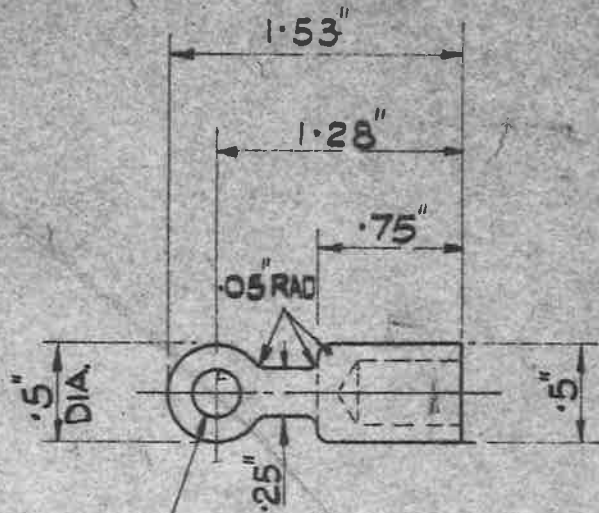
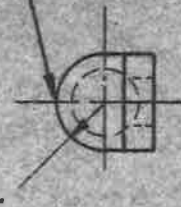


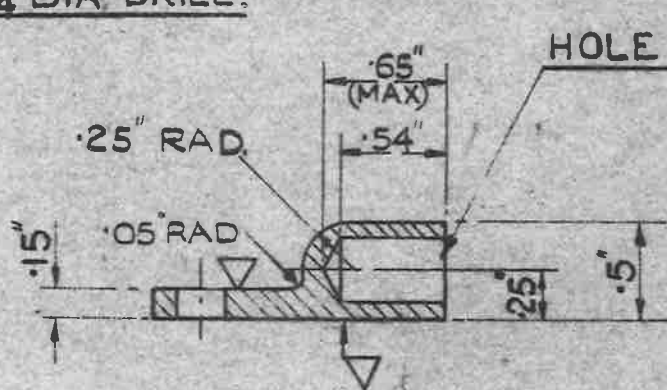
OBSOLESCE



A.G.S. 1715 TO BE LEGIBLY AND DURABLY MARKED IN POSITION SHOWN.



HOLE $\frac{1}{4}$ DIA DRILL.



HOLE $\frac{11}{32}$ DIA DRILL.

MACHINE WHERE MARKED ▽

MATERIAL:- BRASS TO B.S. SPEC: N° 249 (LATEST ISSUE).
OR DIE CASTING TO B.S. SPEC: N° 1400(B4-C) (LATEST ISSUE)
OR DROP STAMPING TO B.S. SPEC. N° 218 (LATEST ISSUE)

FINISH:- ELECTRO - TIN TO SPEC. D.T.D. 924 (LATEST ISSUE)

NOTE:- THIS A.G.S. REPLACES DRG. N° E. & I. 11193.

REF. N° 5C/1684.

SCALE:- FULL SIZE.

TITLE:- LUG, TERMINAL N° 7.	ISSUE	SM 4 ⁸⁵⁰				
	ALT. N°	M88/AGS 796				
MINISTRY OF SUPPLY APPLICATIONS FOR A.G.S. SHEETS TO:- A.T.P. 4A. THAMES HOUSE, MILLBANK, S.W.1.	R.A.E. APPROVAL			AD. S.A.E. APPROVAL		
	SIGNATURE	DATE	SIGNATURE	DATE		
GENERAL INQUIRIES TO:- A.D.S.A.E. THAMES HOUSE, MILLBANK, S.W.1.	SHEET N°	1	A.G.S. N° 1715			
	N° OF SHEETS	1				