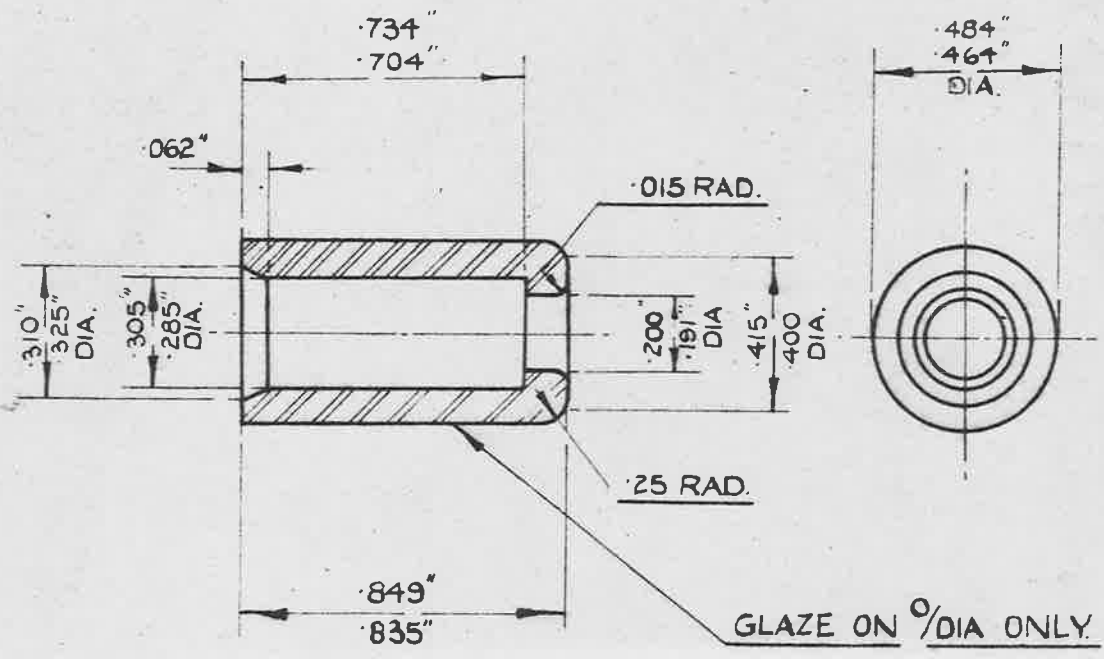
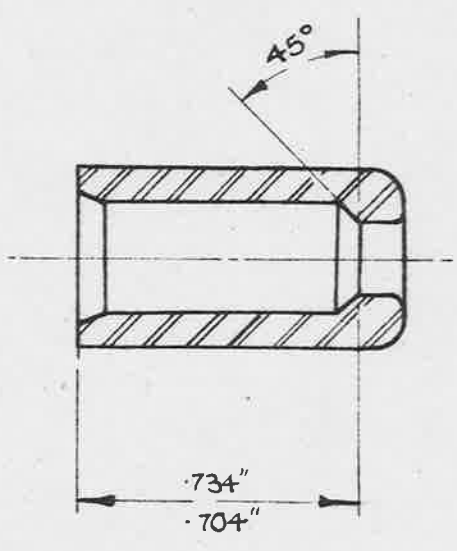


USED WITH LODGE PLUG TYPE 554



MATERIAL :- CORUNDITE OR STEATITE



ALTERNATIVE METHOD WHEN MADE IN SILLIMANITE.

TOLERANCE OF  $\pm .010$  ON UNLIMITED DIMENSIONS.

SCALE 2/1

ISSUED BY DRAWING OFFICE DIRECTORATE OF TECHNICAL DEVELOPMENT. M.A.P.	TITLE:- INSULATING SLEEVE (FOR HT. IGNITION CABLE SPARKING PLUG TERMINAL)					DRAWN	TRACED 8 by Mr. 3-9-45.
	ISSUE N°	1				CHECKED	APPROVED.
	ALTERATION N°	MOD N° AGS/441					