

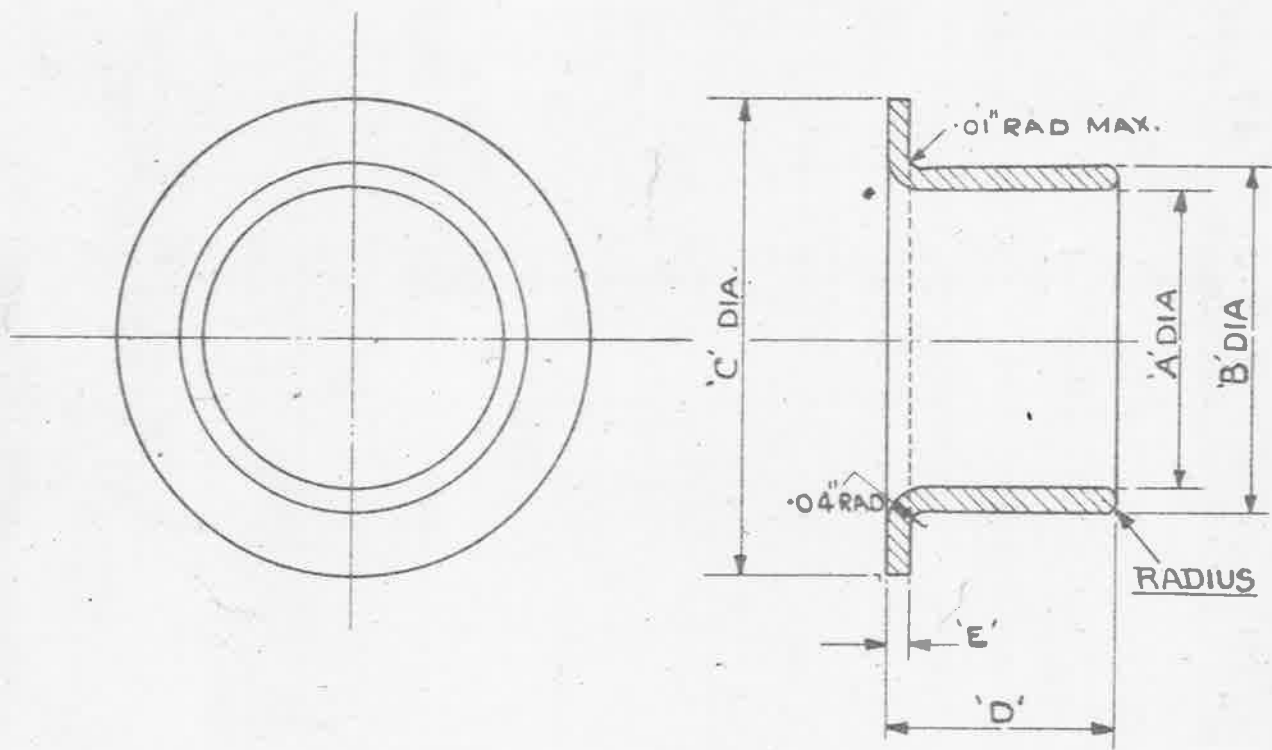
OBSOLESCEMENT - NO FURTHER MANUFACTURE.
EXISTING STOCKS MAY BE USED.

MINISTRY OF
SUPPLY

AGS. N^o 1734

SHEET N^o 1

N^o OF SHEETS 1



ALL SHARP EDGES TO BE ROUNDED OFF

STORES REF. N ^o	MARK	'A'	'B'	'C'	'D'	'E'	REMARKS.
		+0.000 -0.004	+0.001 -0	+0.005 -0.005	+0.005 -0.005	+0.005 -0.005	
5K/2359	1	.61"	.677"	1.10"	.49"	.036"	REPLACES DRG. N ^o E&I.7228-2
5K/2372	2	.61"	.677"	.96"	.49"	.036"	REPLACES DRG. N ^o E&I.8035-4
5K/2362	3	.368"	.420"	.61"	.23"	.028"	REPLACES DRG. N ^o E&I.9265-3 & E&I.7837-3.
5K/2369	4	.404"	.47"	.61"	.23"	.036"	REPLACES DRG. N ^o E&I.7796-6

MATERIAL:- BRASS TO B.S. SPEC. 249. (LATEST ISSUE)

OR TUBE TO B.S. SPEC. 886 (LATEST ISSUE.)

FINISH:- ELECTRO-TINNED, THICKNESS NOT LESS THAN .0002"

ISSUED BY THE
ROYAL
AIRCRAFT
ESTABLISHMENT.

TITLE:- SLEEVES, BONDING, METAL BRAIDED
CABLE, LT. TYPE 9, CIRCULAR, INNER.

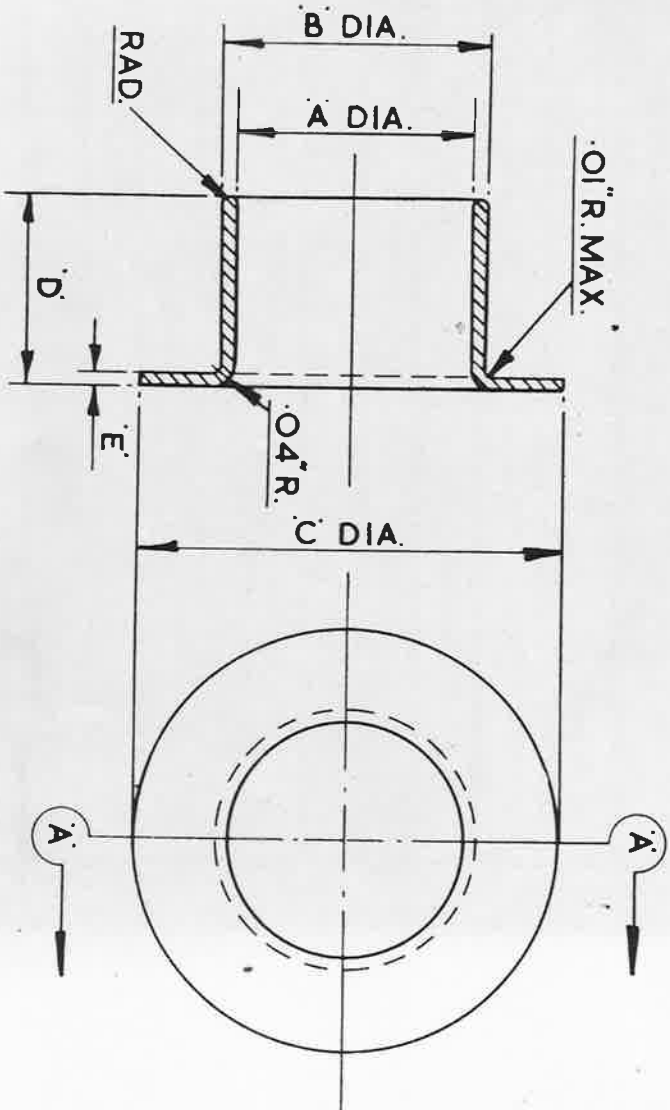
DRAWN
G. STAUGHTON

TRACED
A.S.T.
9-12-42

ISSUE N^o 1245 3 SM 871
ALTER N^o MODIFIED NO 15/45 MODIFIED
AGS/48964708 853 993

CHECKED
ASK

APPROVED
[Signature]
26/1/46



MARK	A	B	C	D	E
1	.606"	.678"	1.105"	.495"	.041"
2	.606"	.678"	.965"	.495"	.041"
3	.364"	.421"	.615"	.235"	.033"
4	.400"	.471"	.605"	.225"	.023"

NOTE:-

NOT TO BE USED ON NEW DESIGNS OF EQUIPMENT (SEE S.D.M. (A) 313)
 ALL SHARP EDGES TO BE ROUNDED OFF.

FINISH:-

ELECTRO-TINNED THICKNESS NOT LESS THAN .0002"

USED ON						
DESIGNED	DRAWN	TRACED	CHECKED	APPROVED FOR	DATE	
	F.A.L.	F.A.L.	F.A.L.	S.B.A.C. <i>[Signature]</i>	9.5.68	

ISSUED BY THE SOCIETY OF BRITISH AIRCRAFT CONSTRUCTORS LTD.,
 29, KING STREET, ST. JAMES'S, LONDON, S.W. 1.

REF.	DRAWING OR PART No.	DESCRIPTION	LIMITS NOT SHOWN	AS DRAWN UNIT QTY	GRP HAND	MATERIAL - REMARKS
		BRASS ROD OR BRASS TUBE (ANNEALED)				BS. 249
						BS. 885
						THIRD ANGLE PROJECTION.

HT AS ABOVE
 SLEEVES, BONDING, METAL BRAIDED CABLE, L.T. TYPE 9, CIRCULAR, INNER.

A.G.S. 1734

SM1099	ISSUE No.	6	ALT. No.	F106
--------	-----------	---	----------	------