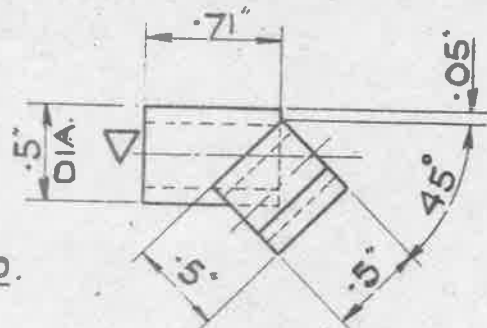
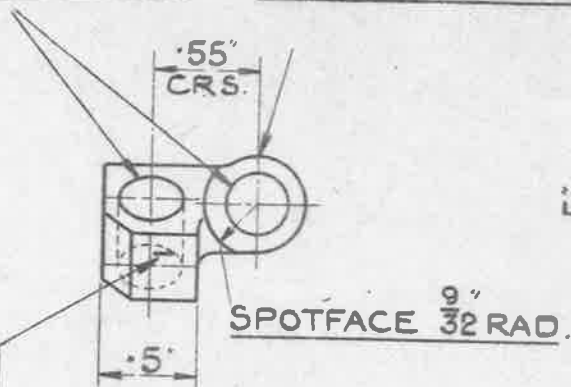


UNLIMITED DIMENSIONS ± .005"

OBSOLESCENT. A.G.S. 1738

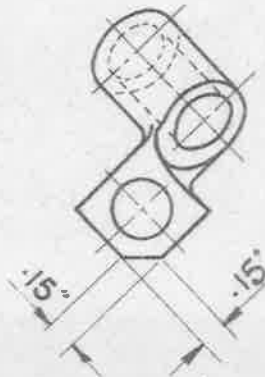
HOLE, LETTER Q
DRILL, (.332" DIA).

A.G.S. 1738/1 TO BE LEGIBLY AND DURABLY
MARKED IN POSITION SHOWN.

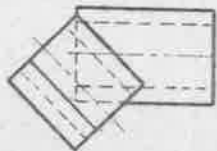


POLARITY TO BE
STAMPED ON THIS

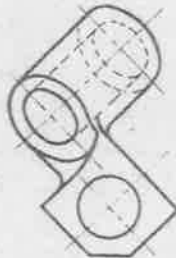
MACHINE WHERE
MARKED ▽



MARK 1. LUG, TERMINAL, N°12. RIGHT HAND. REF. N° 5C/2447



ALL OTHER PARTICULARS AS
Mk. I, BUT OPPOSITE
HAND AS SHOWN.



POLARITY TO BE
STAMPED ON THIS

AGS 1738/2 TO BE LEGIBLY
AND DURABLY MARKED IN
POSITION SHOWN.

MARK 2. LUG, TERMINAL, N°13. LEFT HAND REF. N° 5C/2329

MATERIAL:- BRASS TO B.S. SPEC: 249 (LATEST ISSUE)
OR DIE CASTING TO B.S. SPEC: 1400(B4-C) (LATEST ISSUE)
OR DROP STAMPING TO B.S. SPEC: N° 218 (LATEST ISSUE)

FINISH:- ELECTRO-TIN TO SPEC: D.T.D. 924. (LATEST ISSUE)

THE ABOVE A.G.S. PARTS REPLACE DRGS. N° E.&I. 11712-1 & 2
RESPECTIVELY.

SCALE:- FULL SIZE

TITLE:- LUG, TERMINAL
N°s 12 & 13

ISSUE SM 4-52

ALT N° MOD/AGS 796

MINISTRY OF SUPPLY

APPLICATIONS FOR A.G.S. SHEETS TO:-
R.T.P. 4A. THAMES HOUSE, MILLBANK, S.W.1.

GENERAL INQUIRIES TO:-

A.D. S.A.E. THAMES HOUSE, MILLBANK, S.W.1.

R.A.E. APPROVAL

SIGNATURE

DATE

SHEET N°

N° OF SHEETS

AD. S.A.E. APPROVAL

SIGNATURE

DATE

A.G.S. N° 1738