

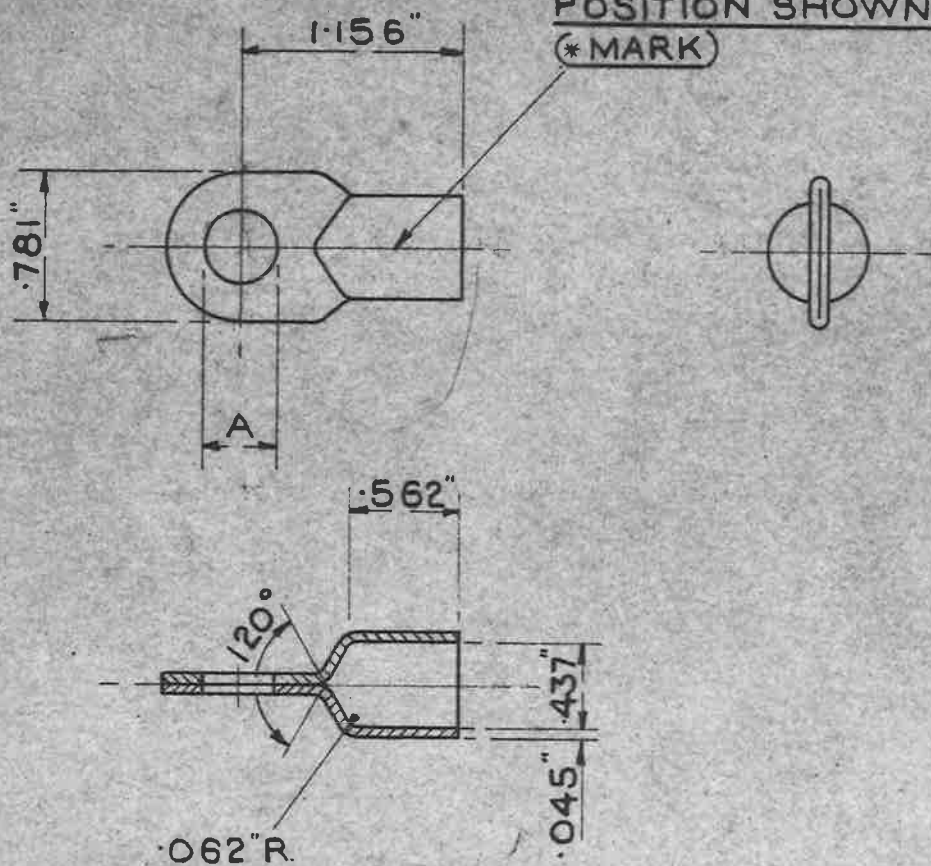
UNLIMITED DIMENSIONS $\pm .005$

A.G.S. 1749

OBSOLESCE

A.G.S. 1749/* TO BE LEGIBLY AND DURABLY MARKED IN POSITION SHOWN

(* MARK)



MARK	LUG NO	REF. NO	'A' DIM.
A	28	5C/3522	.390"
B	29	5C/2884	.328"

MATERIAL :- COPPER TUBE TO COMPLY WITH B.S. SPEC: N° 91 (LATEST ISSUE)

FINISH :- ELECTRO - TIN TO SPEC. D.T.D. 924 (LATEST ISSUE)

NOTE :- BASED ON ROTAX DRG. N° 55434

SCALE :- FULL SIZE

TITLE :- LUGS, TERMINAL N°s 28 & 29	ISSUE	SM 455					
	ALT. N°	MOD/AGS 796					
MINISTRY OF SUPPLY APPLICATIONS FOR A.G.S. SHEETS TO:- ATP.4A. THAMES HOUSE, MILLBANK, S.W.1. GENERAL INQUIRIES TO:- A.D.S.A.E. THAMES HOUSE, MILLBANK, S.W.1.	R.A.E. APPROVAL		AD. S.A.E. APPROVAL				
	SIGNATURE	DATE	SIGNATURE	DATE			
	<i>C. S. R...</i>	8.3.50	<i>G. T. ...</i>	5/9/51			
	SHEET N°	1	A.G.S. N° 1749				
	N° OF SHEETS	1					