

ITEM NO	AGS 1752 SHEET NO	DESCRIPTION	NO OFF	REMARKS
1	2	SOCKET BODY	1	
2	2	CABLE SPACER	1	
3	2	INSERT FOR SOCKET MOULDING	2	
4	2	SOCKET MOULDING	1	
5	3	UNION NUT	1	
6	3	CONTACT SPACING PLATE	1	
7	3	PLUG TOP PLATE	1	
8	4	CABLE FERRULE	1	
9	4	PLUG CONTACT	2	
10	4	CONTACT NUT	2	
11	4	SPRING CONTACT	2	
12	5	TERMINAL BLOCK	2	
13	5	CONTACT SCREW	2	
14	5	LOCKING PIECE	1	
15	N.D.	SPRING WASHER	2	
16	5	RUBBER PAD	2	

TITLE:- L.T. PLUG & SOCKET FOR TWIN COIL MAGNETO.

ISSUE 2 3 4  
 ALT. NO AS Mod AS/AGS  
 AGS/369 AGS/711 848

MINISTRY OF SUPPLY  
 APPLICATIONS FOR A.G.S. SHEETS TO:  
 A.T.P. 4A. THAMES HOUSE, MILLBANK, S.W.1.

R.A.E. APPROVAL  
 SIGNATURE *[Signature]* DATE 16.3.48  
 AD. S.A.E. APPROVAL  
 SIGNATURE *[Signature]* DATE 20/4/48

GENERAL INQUIRIES TO:-  
 AD. S.A.E. THAMES HOUSE, MILLBANK, S.W.1.

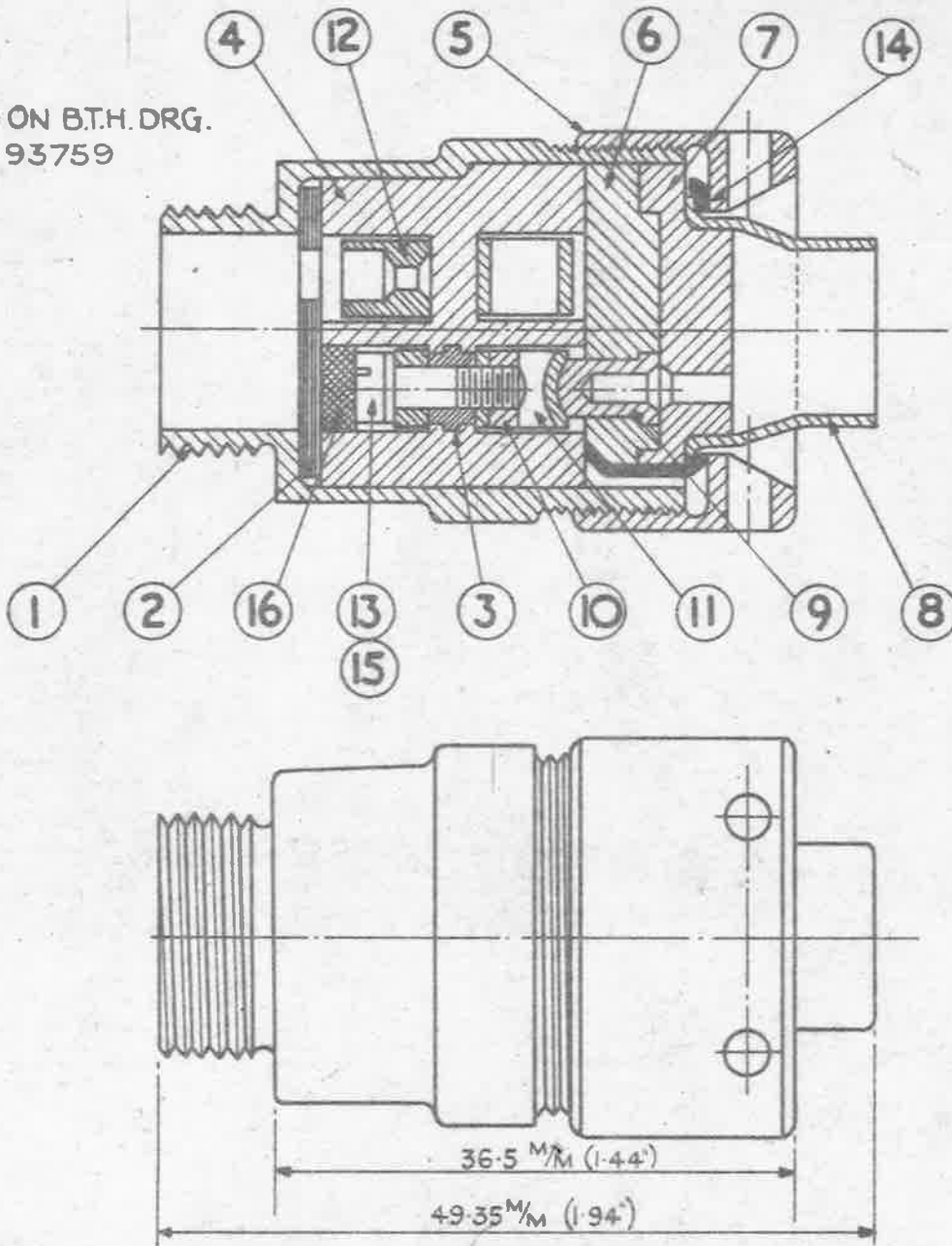
SHEET NO 1  
 NO OF SHEETS 5

A.G.S. NO 1752

**OBSOLESCE** - NOT TO BE USED FOR NEW DESIGNS.

**A.G.S. 1752**

BASED ON B.T.H. DRG.  
N° C.X. 93759



ITEM N°	AGS 1752 SHEET N°	DESCRIPTION	N° OFF	REMARKS
1	2	SOCKET BODY	1	
2	2	CABLE SPACER	1	
3	2	INSERT FOR SOCKET MOULDING	2	
4	2	SOCKET MOULDING	1	
5	3	UNION NUT	1	
6	3	CONTACT SPACING PLATE	1	
7	3	PLUG TOP PLATE	1	
8	4	CABLE FERRULE	1	
9	4	PLUG CONTACT	2	
10	4	CONTACT NUT	2	
11	4	SPRING CONTACT	2	
12	5	TERMINAL BLOCK	2	
13	5	CONTACT SCREW	2	
14	5	LOCKING PIECE	1	
15	N.D.	SPRING WASHER	2	
16	5	RUBBER PAD	2	

**TITLE:-** L.T. PLUG & SOCKET FOR TWIN COIL MAGNETO.

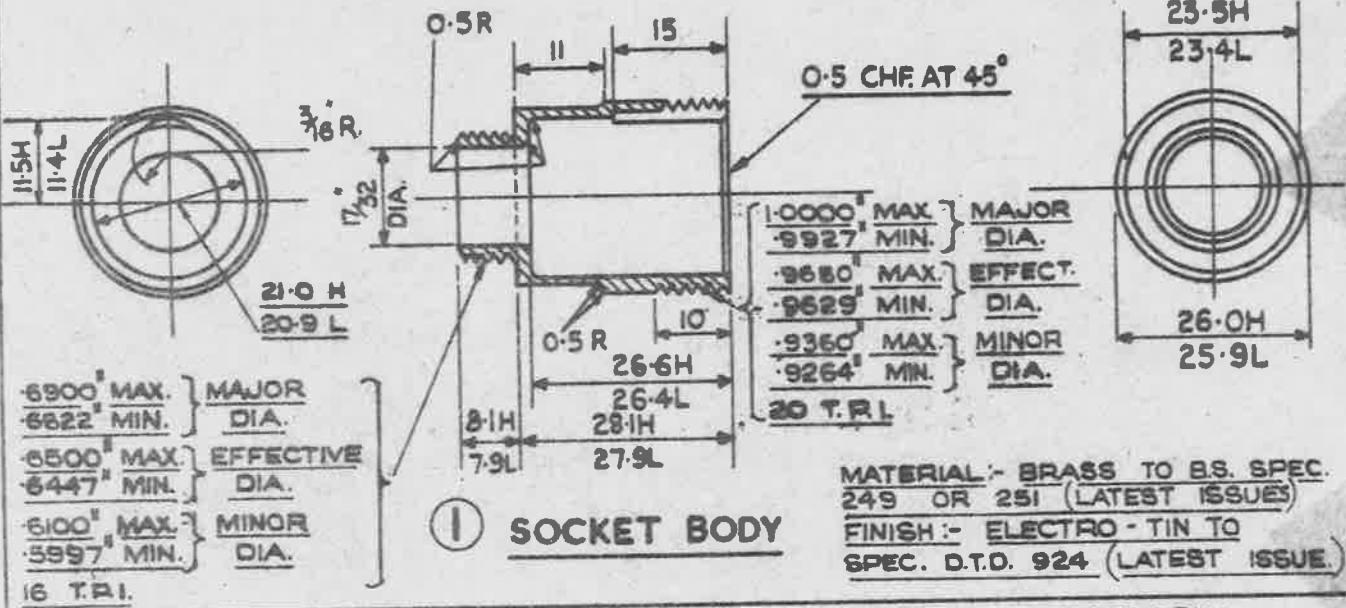
ISSUE	2	3	4	5
ALT.N°	AS AGS/369	Mod AGS/711	AS/AGS 848	MOD/AGS 1004

**MINISTRY OF SUPPLY**  
APPLICATIONS FOR A.G.S. SHEETS TO:-  
A.T.P.4 BLOCK E, CHESSINGTON, SURREY.  
GENERAL ENQUIRIES TO:-  
A.D./S.A.E. ST. GILES COURT, 1-13  
ST. GILES HIGH STREET, LONDON.W.C.2

R.A.E. APPROVAL		A.D. S.A.E. APPROVAL	
SIGNATURE	DATE	SIGNATURE	DATE
<i>[Signature]</i>	16. 3. 48.	<i>[Signature]</i>	20/4/48
SHEET N°	1	<b>A.G.S. N° 1752</b>	
N° OF SHEETS	5		

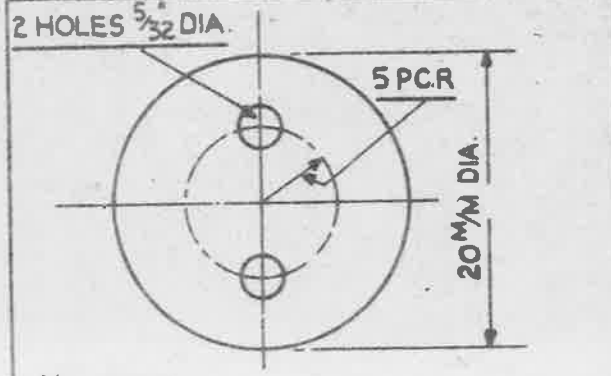
NOTE :- SCREW THREADS TO B.S. SPEC: 84 - 1940, MEDIUM FIT.

A.G.S. 1752



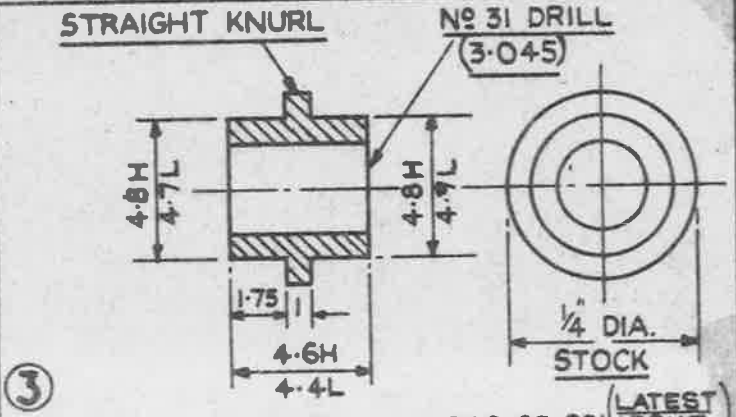
1 SOCKET BODY

MATERIAL :- BRASS TO B.S. SPEC. 249 OR 251 (LATEST ISSUES)  
FINISH :- ELECTRO-TIN TO SPEC. D.T.D. 924 (LATEST ISSUE).



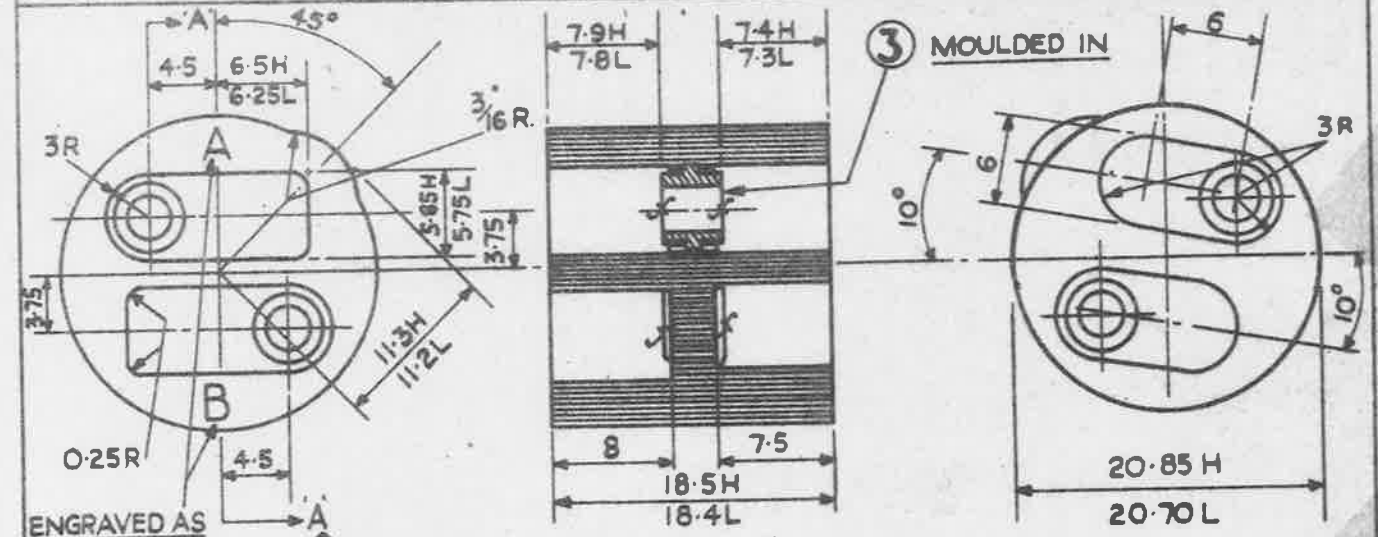
2 CABLE SPACER

MATERIAL :- B.T.H. COMPOUND NO 1103.



3 INSERT FOR SOCKET MOULDING

MATERIAL :- BRASS TO B.S.S. 249 OR 251 (LATEST ISSUE)  
FINISH :- ELECTRO-TIN TO SPEC. D.T.D. 924 (LATEST ISSUE).



4 SOCKET MOULDING

ENGRAVED AS SHOWN 1/8" CHARACTERS

VIEW OF KEY

MATL :- B.T.H NO 1070  
BAKELITE COMPOUND.

NOTE :- DIMENSIONS ARE IN MILLIMETRES UNLESS OTHERWISE STATED.  
NOTE :- ALL UNLIMITED MACHINED SURFACES TO BE WITHIN LIMITS ±.010" OR .25 M/M.

TITLE :- L.T PLUG & SOCKET FOR TWIN COIL MAGNETO. DETAILS.

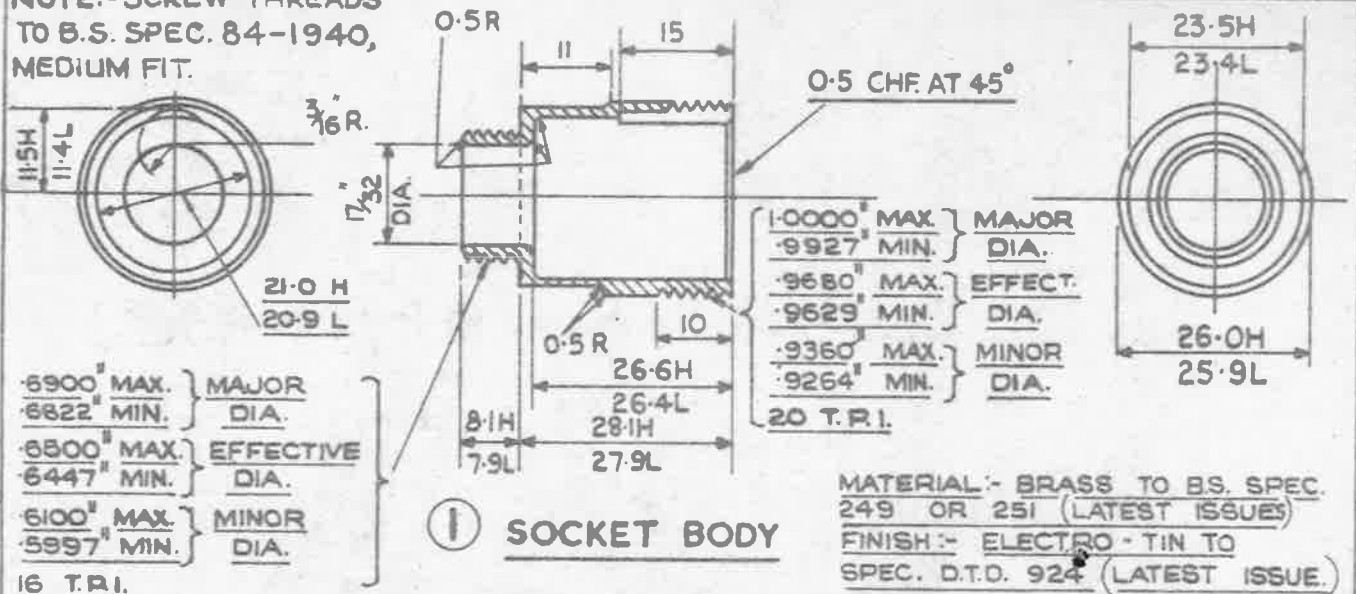
ISSUE	3	4			
ALT. NO	AS/AGS 663	AS/AGS 848			
R.A.E. APPROVAL		AD. S.A.E. APPROVAL			
SIGNATURE	DATE	SIGNATURE	DATE		
<i>[Signature]</i>	16.3.48	<i>[Signature]</i>	20/6/68		
SHEET NO	2	A.G.S. NO 1752			
NO OF SHEETS	5				

MINISTRY OF SUPPLY  
APPLICATIONS FOR A.G.S. SHEETS TO:  
A.T.P.4A. THAMES HOUSE, MILLBANK, S.W.1.  
GENERAL INQUIRIES TO :-  
AD. S.A.E. THAMES HOUSE, MILLBANK, S.W.1.

**OBSOLESCE** - NOT TO BE USED FOR NEW DESIGNS.

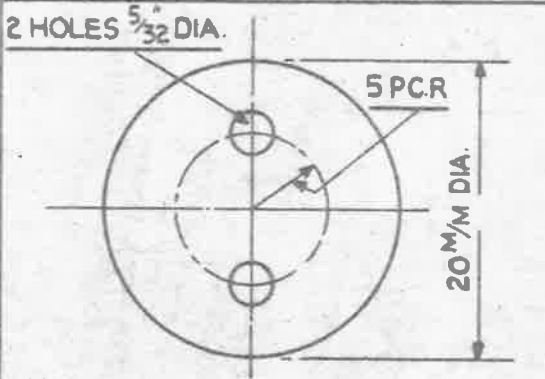
**A.G.S. 1752**

NOTE:- SCREW THREADS TO B.S. SPEC. 84-1940, MEDIUM FIT.



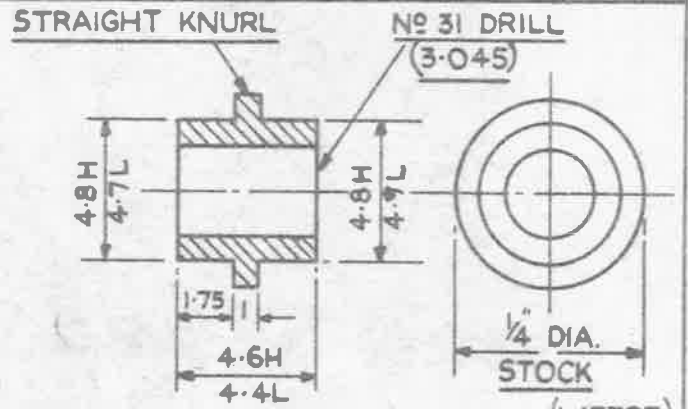
MATERIAL:- BRASS TO B.S. SPEC. 249 OR 251 (LATEST ISSUES)  
FINISH:- ELECTRO-TIN TO SPEC. D.T.D. 924 (LATEST ISSUE.)

**1 SOCKET BODY**



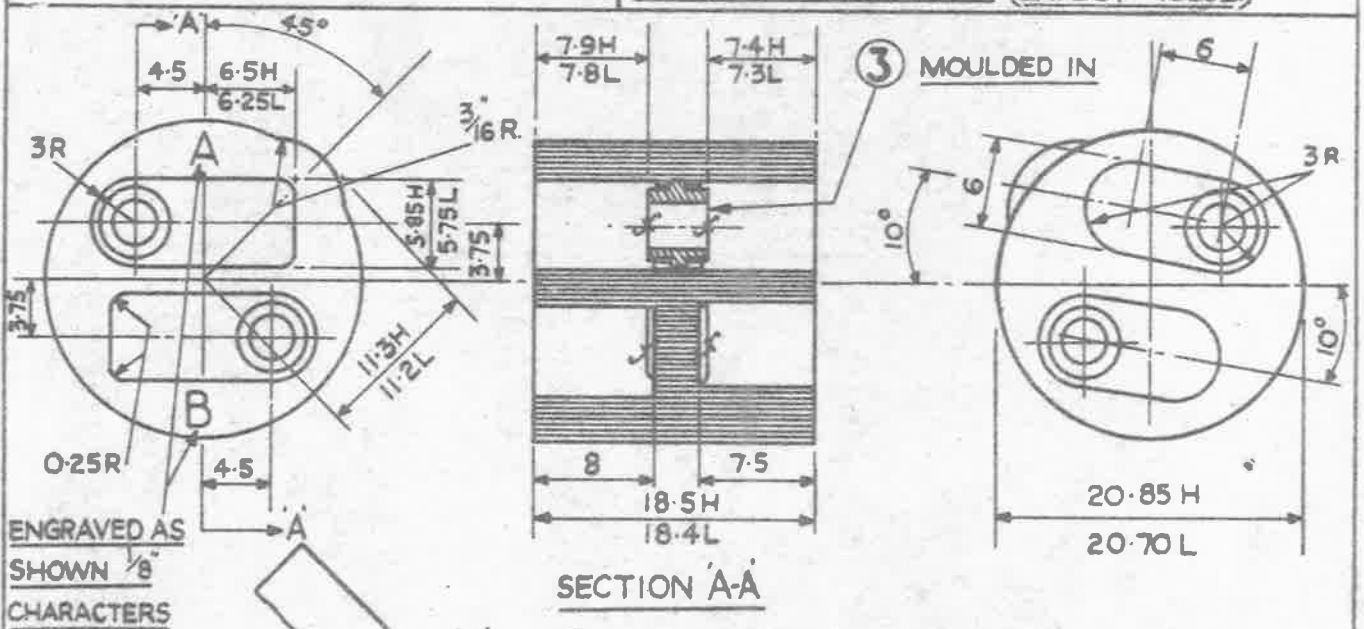
1 M/M THICK.  
MATERIAL:- B.T.H. COMPOUND NO 1103.

**2 CABLE SPACER**



MATERIAL:- BRASS TO B.S.S. 249 OR 251 (LATEST ISSUE)

**3 INSERT FOR SOCKET Moulding** FINISH:- ELECTRO-TIN TO SPEC. D.T.D. 924 (LATEST ISSUE.)



**4 SOCKET Moulding**

MAT:- B.T.H. NO 1070 BAKELITE COMPOUND.

NOTE:- DIMENSIONS ARE IN MILLIMETRES UNLESS OTHERWISE STATED.

NOTE:- ALL UNLIMITED MACHINED SURFACES TO BE WITHIN LIMITS ±0.10° OR .25 M/M.

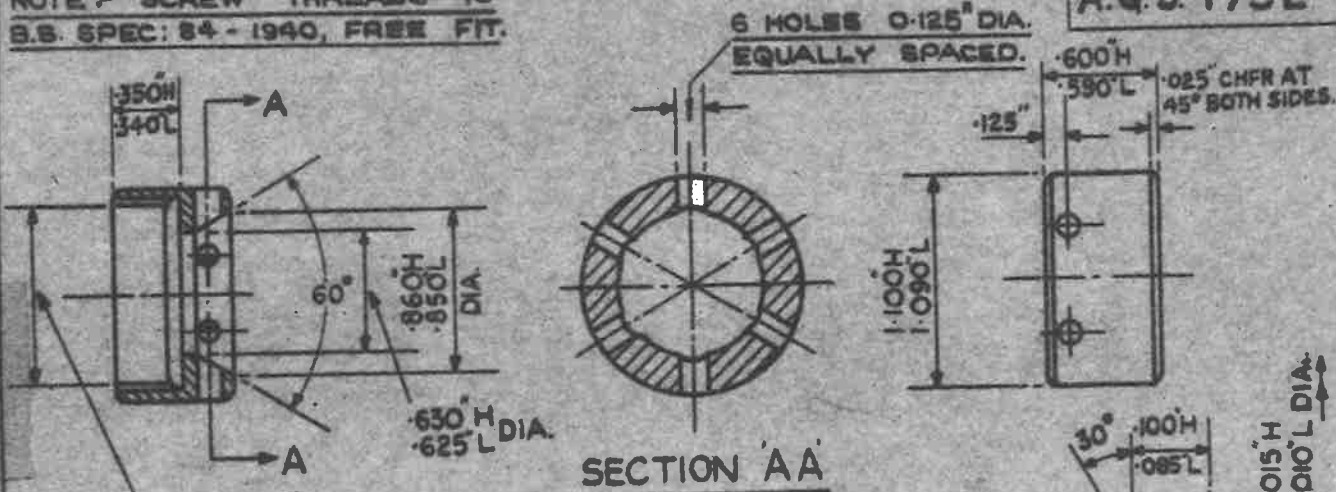
TITLE:- LT PLUG & SOCKET FOR TWIN COIL MAGNETO. DETAILS.

ISSUE	3	4	7	5			
ALT. NO	AS/AGS 663	AS/AGS MOD/AGS 848	1004				
R.A.E. APPROVAL				AD. S.A.E. APPROVAL			
SIGNATURE		DATE		SIGNATURE		DATE	
<i>[Signature]</i>		16.3.48		<i>[Signature]</i>		20/6/48	
SHEET NO		2		A.G.S. NO 1752			
NO OF SHEETS		5					

MINISTRY OF SUPPLY  
APPLICATIONS FOR A.G.S. SHEETS TO:-  
AT.P.4. BLOCK E, CHESSINGTON, SURREY.  
GENERAL ENQUIRIES TO:-  
AD/S.A.E. ST GILES COURT, 1-13  
ST. GILES HIGH STREET, LONDON. W.C.2

NOTE: SCREW THREADS TO B.S. SPEC: 84 - 1940, FREE FIT.

A.G.S. 1752



SECTION 'AA'

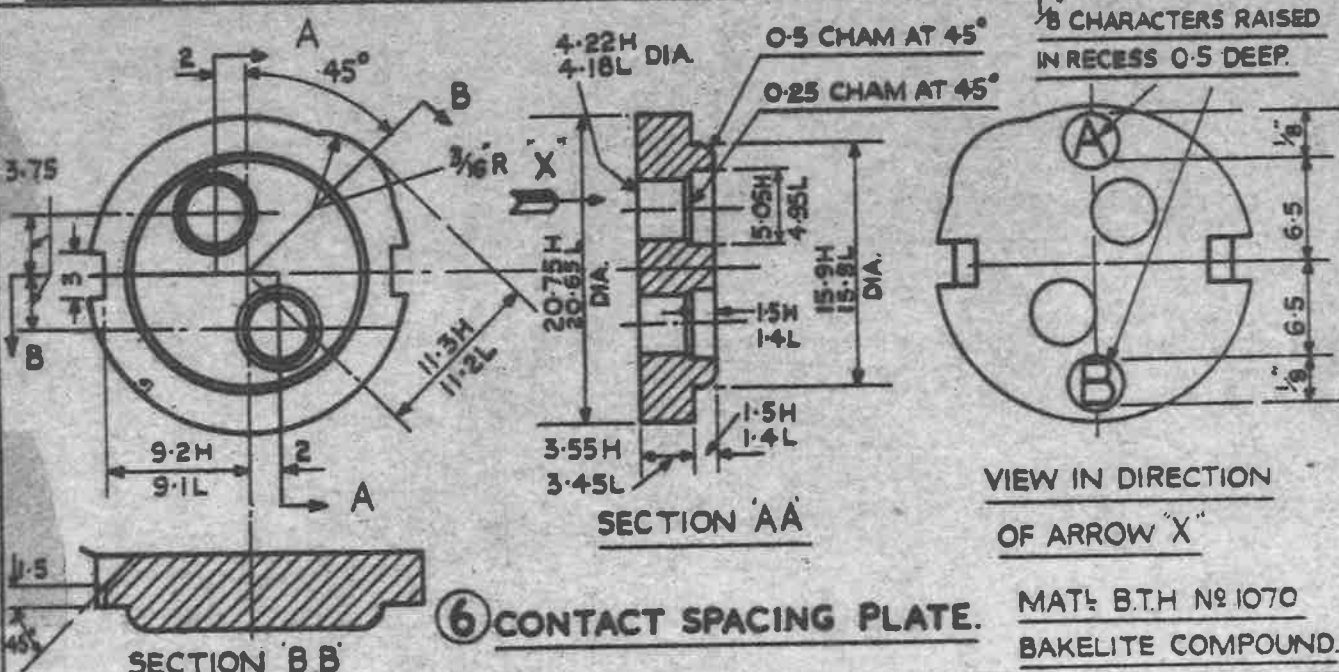
1.0000 MAJOR DIA. MIN.  
 .8767 MAX. EFFECTIVE DIA.  
 .9680 MIN. DIA.  
 .9630 MAX. MINOR DIA.  
 .9360 MIN. DIA.  
 20 T.P.I.

MATERIAL: STEEL TO B.S. SPEC: 6.1. OR S.77. (LATEST ISSUES)

FINISH: NICKEL PLATE TO SPEC: D.T.D. 919 (LATEST ISSUE.)

5 UNION NUT

ENLARGED VIEW OF UNDERCUT.

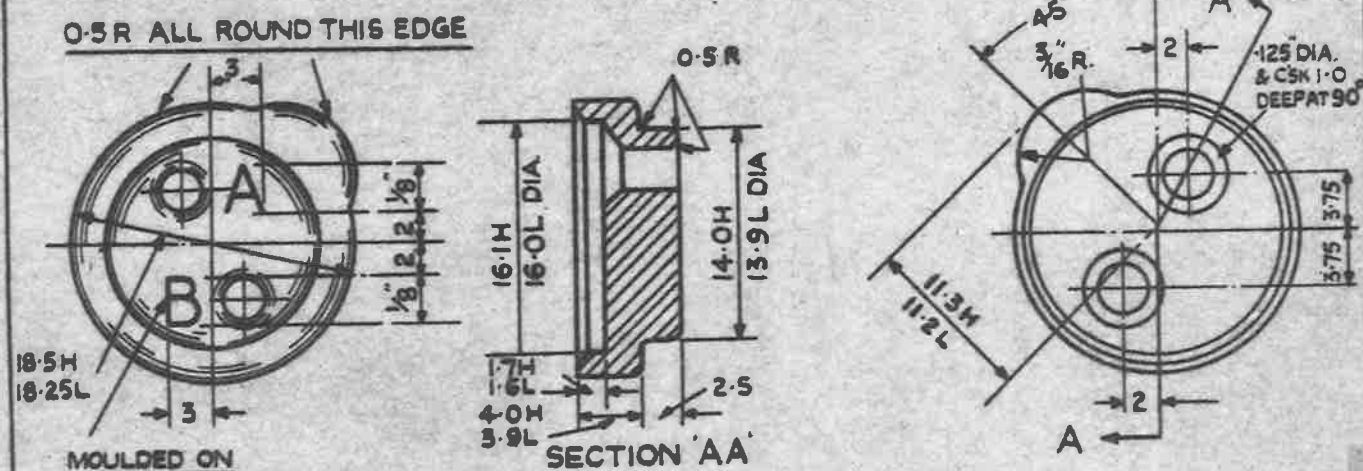


SECTION 'AA'

VIEW IN DIRECTION OF ARROW 'X'

6 CONTACT SPACING PLATE.

MAT: B.T.H No 1070 BAKELITE COMPOUND.



SECTION 'AA'

7 PLUG TOP PLATE

MAT: B.T.H No 1070 BAKELITE COMPOUND

NOTE: DIMENSIONS ARE IN MILLIMETRES UNLESS OTHERWISE STATED.  
 NOTE: ALL UNLIMITED MACHINED SURFACES TO BE WITHIN LIMITS ±.010" OR .25 M/M.

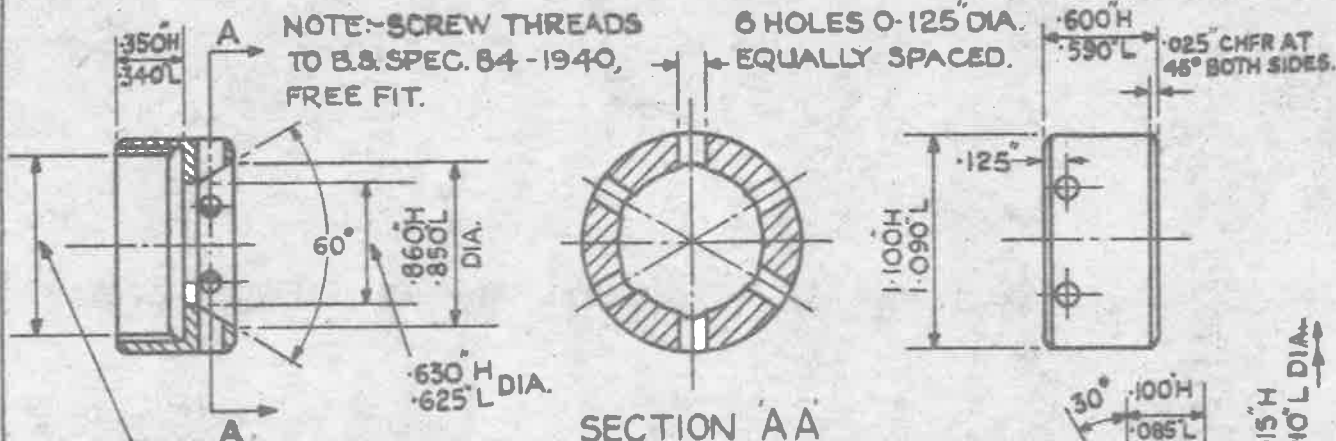
TITLE: LT PLUG & SOCKET FOR TWIN COIL MAGNETO. DETAILS

ISSUE	3	4	5
ALT. No	AS/AGS 663	AS/AGE 848.	AS/AGS 904
R.A.E. APPROVAL		AD. S.A.E. APPROVAL	
SIGNATURE	DATE	SIGNATURE	DATE
<i>[Signature]</i>	16.3.48	<i>[Signature]</i>	20/4/48
SHEET No	3	A.G.S. No 1752	
No OF SHEETS	5		

MINISTRY OF SUPPLY  
 APPLICATIONS FOR A.G.S. SHEETS TO:  
 ATP.4A. THAMES HOUSE, MILLBANK, S.W.1.  
 GENERAL INQUIRIES TO:-  
 THAMES HOUSE, MILLBANK, S.W.1.

**OBSOLESCE** - NOT TO BE USED FOR NEW DESIGNS.

**A.G.S. 1752**



NOTE:- SCREW THREADS TO B.S. SPEC. 84-1940, FREE FIT.  
6 HOLES 0.125" DIA. EQUALLY SPACED.

**SECTION AA**

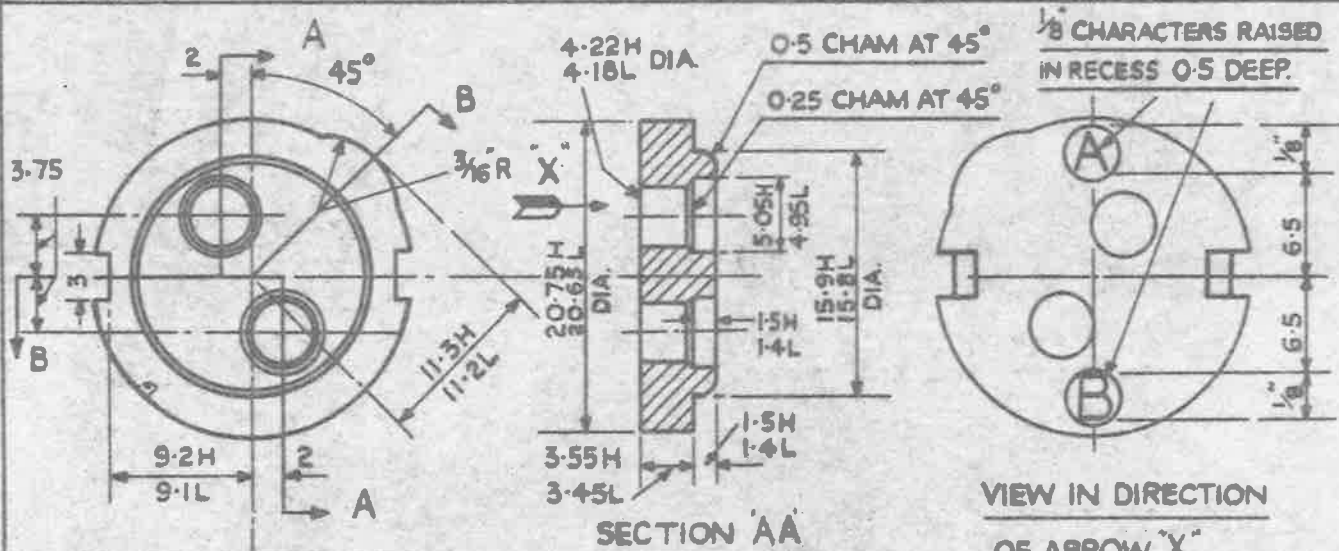
1.0000 MAJOR DIA. MIN.  
0.9787 MAX EFFECTIVE DIA.  
0.9580 MIN DIA.  
0.9530 MAX MINOR DIA.  
0.9360 MIN DIA.  
20 T.P.I.

MATERIAL:- STEEL TO B.S. SPEC: S.1. OR S.77. (LATEST ISSUE)

FINISH:- NICKEL PLATE TO SPEC: D.T.D. 919 (LATEST ISSUE.)

**5 UNION NUT**

ENLARGED VIEW OF UNDERCUT.

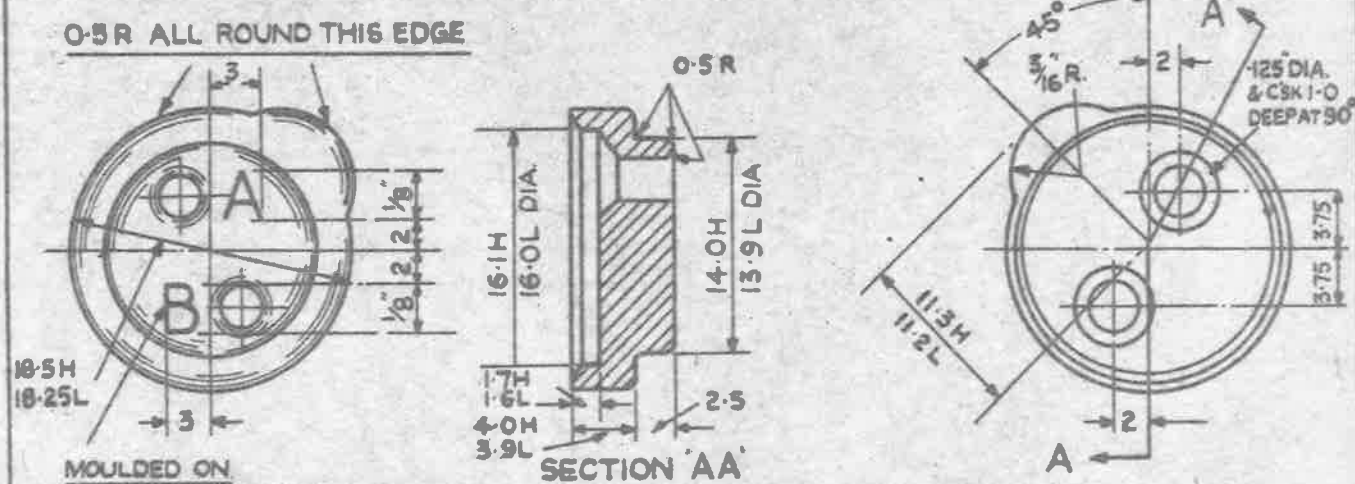


**SECTION AA**

VIEW IN DIRECTION OF ARROW 'X'

**6 CONTACT SPACING PLATE.**

MAT: B.T.H No 1070 BAKELITE COMPOUND.



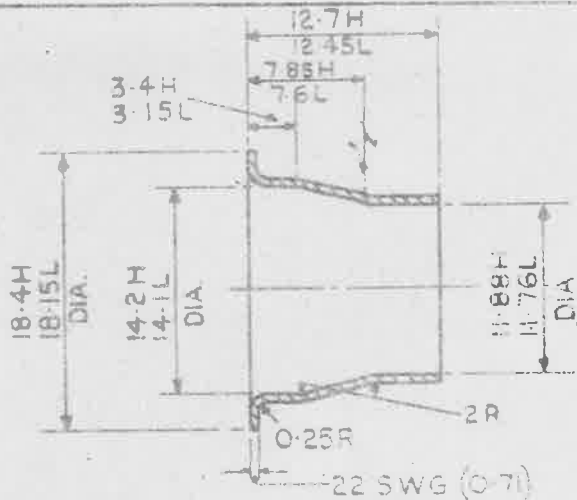
**SECTION AA**

**7 PLUG TOP PLATE**

MOULDED ON RAISED CHARACTERS  
MAT: B.T.H No 1070 BAKELITE COMPOUND

NOTE:- DIMENSIONS ARE IN MILLIMETRES UNLESS OTHERWISE STATED.  
NOTE:- ALL UNLIMITED MACHINED SURFACES TO BE WITHIN LIMITS ± 0.010 OR 0.25 M/M.

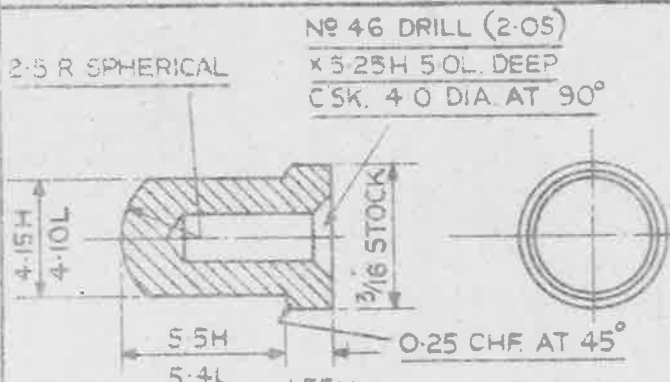
TITLE:- L.T PLUG & SOCKET FOR TWIN COIL MAGNETO. DETAILS.	ISSUE	3	4	5	6
	ALT. No	AS/AGS 663	AS/AGS 848	AS/AGS 904	MOO/AGS 1004
MINISTRY OF SUPPLY APPLICATIONS FOR A.G.S. SHEETS TO:- A.T.P.4, BLOCK E, CHESSINGTON, SURREY GENERAL ENQUIRIES TO:- A.D./S.A.E. ST GILES COURT, 1-13, ST GILES HIGH STREET, LONDON. W.C. 2	R.A.E. APPROVAL		A.D. S.A.E. APPROVAL		
	SIGNATURE	DATE	SIGNATURE	DATE	
SHEET No	3	A.G.S. No 1752			
No OF SHEETS	5				



**MATERIAL:-**  
BRASS TO BS. SPEC  
267 (LATEST ISSUE)

**8 CABLE FERRULE**

**FINISH:-**  
ELECTRO-TIN TO SPEC.  
D.T.O. 924 (LATEST ISSUE)

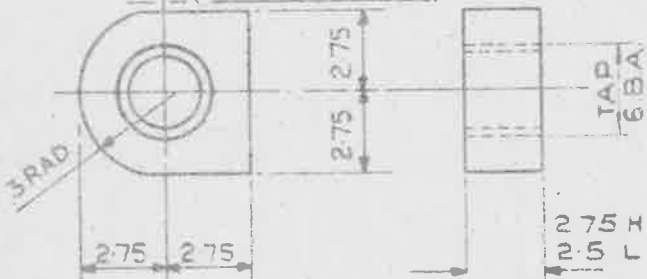


**MATERIAL:-**  
BRASS TO BS. SPEC.  
249 OR 251 (LATEST ISSUES)

**FINISH:-**  
ELECTRO-TIN TO  
SPEC. D.T.O. 924.  
(LATEST ISSUE)

**9 PLUG CONTACT**

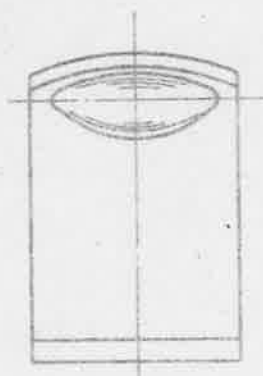
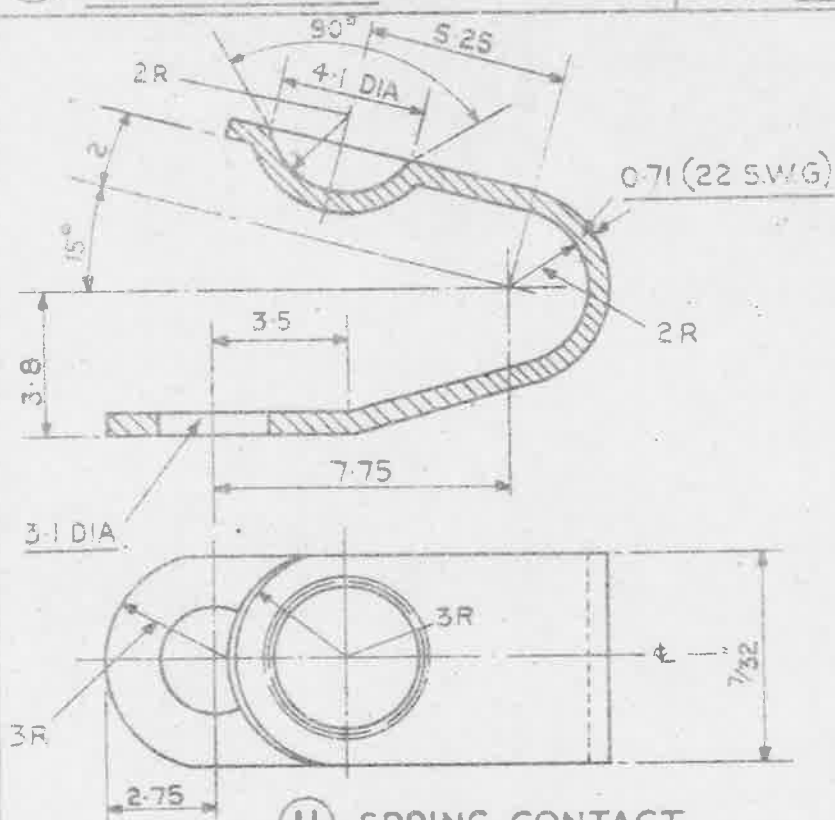
**NOTE:- SCREW THREADS TO BS. SPEC  
93 (LATEST ISSUE)**



**MATERIAL - BRASS TO B.S. SPEC 249 OR  
251 (LATEST ISSUES)**

**FINISH - ELECTRO-TIN TO SPEC. D.T.O.  
924 (LATEST ISSUE.)**

**10 CONTACT NUT**



**MATERIAL:- PHOSPHOR BRONZE  
TO BS. SPEC 407/2,  
(LATEST ISSUE, HALF HARD TEMPLE)**

**FINISH:- NICKEL PLATE  
TO SPEC. D.T.O. 919,  
(LATEST ISSUE.)**

**11 SPRING CONTACT**

**NOTE:- DIMENSIONS ARE IN MILLIMETRES UNLESS OTHERWISE STATED.**

**NOTE:- ALL UNLIMITED MACHINED SURFACES TO BE WITHIN LIMITS  $\pm 0.10$  OR  $0.25 \mu m$**

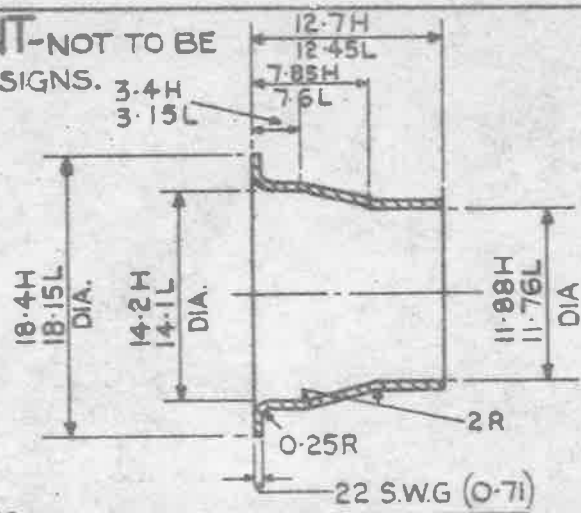
**TITLE:- L.T. PLUG & SOCKET FOR  
TWIN COIL MAGNETO. DETAILS.**

ISSUE	3	4			
ALT. NO	AS/AGS 663	AS/AGS 848			
R.A.E. APPROVAL		AD. S.A.E. APPROVAL			
SIGNATURE	DATE	SIGNATURE	DATE		
<i>S. Moor</i>	16.3.48	<i>G.T. Gumber</i>	20/4/48		
SHEET NO	4	<b>A.G.S. NO 1752</b>			
NO OF SHEETS	5				

**MINISTRY OF SUPPLY**  
APPLICATIONS FOR A.G.S. SHEETS TO:-  
A.T.P.4A. THAMES HOUSE, MILLBANK, S.W.1.  
GENERAL INQUIRIES TO:-  
AD. S.A.E. THAMES HOUSE, MILLBANK, S.W.1.

**OBSOLESCE** - NOT TO BE USED FOR NEW DESIGNS.

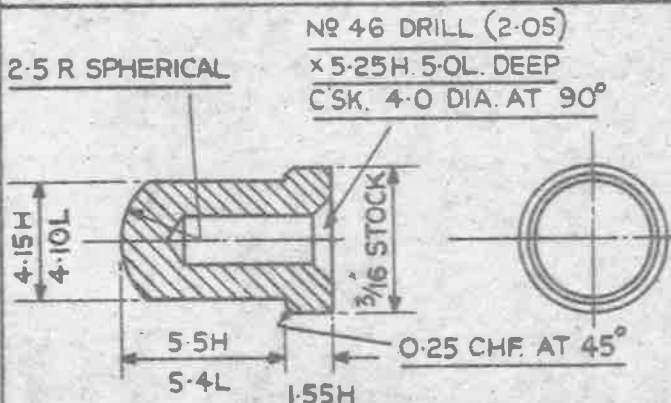
**A.G.S. 1752**



**MATERIAL:-**  
BRASS TO B.S. SPEC.  
267 (LATEST ISSUE.)

**8 CABLE FERRULE**

**FINISH:-**  
ELECTRO-TIN TO SPEC.  
D.T.O. 924 (LATEST ISSUE)

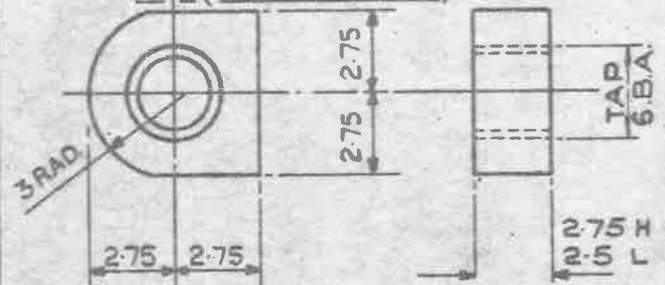


**MATERIAL:-**  
BRASS TO B.S. SPEC.  
249 OR 251 (LATEST ISSUES)

**FINISH:-**  
ELECTRO-TIN TO SPEC.  
D.T.O. 924. (LATEST ISSUE.)

**9 PLUG CONTACT**

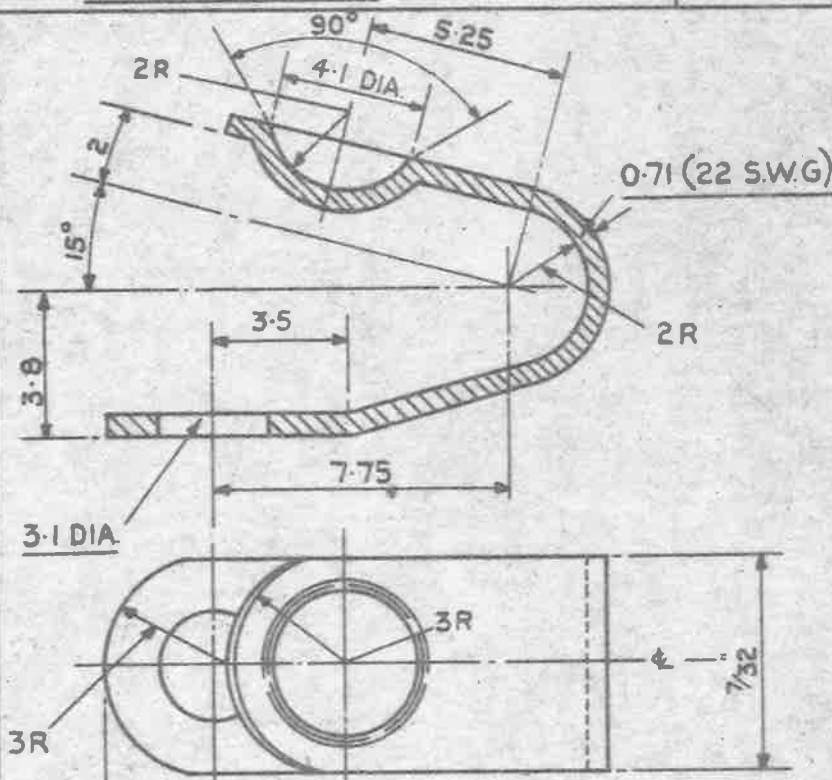
**NOTE:-** SCREW THREADS TO B.S. SPEC. 93 (LATEST ISSUE)



**MATERIAL:-** BRASS TO B.S. SPEC. 249 OR 251 (LATEST ISSUES)

**FINISH:-** ELECTRO-TIN TO SPEC. D.T.O. 924 (LATEST ISSUE)

**10 CONTACT NUT**



**MATERIAL:-** PHOSPHOR BRONZE TO B.S. SPEC: 407/2, (LATEST ISSUE) HALF HARD TEMPER

**FINISH:-** NICKEL PLATE TO SPEC: D.T.O. 919, (LATEST ISSUE)

**11 SPRING CONTACT**

**NOTE:-** DIMENSIONS ARE IN MILLIMETRES UNLESS OTHERWISE STATED.

**NOTE:-** ALL UNLIMITED MACHINED SURFACES TO BE WITHIN LIMITS  $\pm 0.010$  OR  $-25\%M$ .

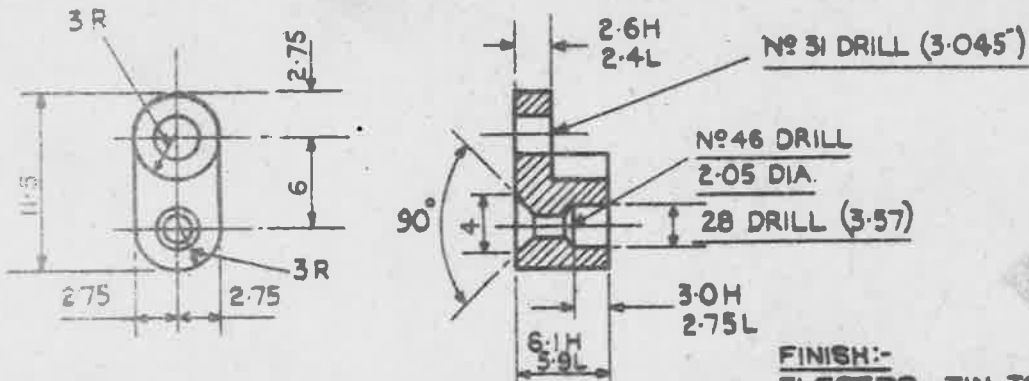
**TITLE:-** L.T. PLUG & SOCKET FOR TWIN COIL MAGNETO. DETAILS.

ISSUE	3	A	7.11.51	5 <sup>th</sup> 54.
ALT. No	AS/AGS 663	AS/AGS 848	MOD/AGS 1004	

**MINISTRY OF SUPPLY**  
APPLICATIONS FOR A.G.S. SHEETS TO:-  
A.T.P.4, BLOCK E, CHESSINGTON, SURREY.  
GENERAL ENQUIRIES TO:-  
A.D./S.A.E. ST GILES COURT, 1-13  
ST GILES HIGH STREET, LONDON W.C.2

R.A.E. APPROVAL		A.D. S.A.E. APPROVAL	
SIGNATURE	DATE	SIGNATURE	DATE
<i>SMThorpe</i>	16.3.48	<i>G.T. Ganton</i>	20/4/48
SHEET No	4	<b>A.G.S. No 1752</b>	
No OF SHEETS	5		



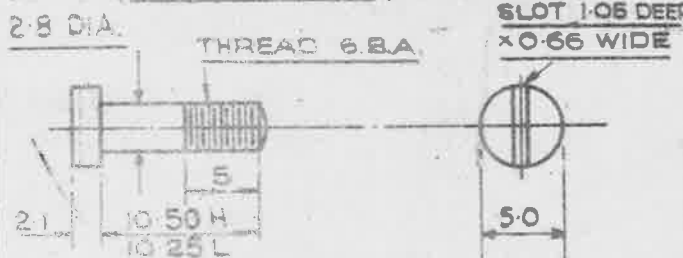


MATERIAL :- BRASS TO B.S. SPEC: 249 OR 251 (LATEST ISSUES.)

**12** TERMINAL BLOCK

FINISH:- ELECTRO-TIN TO SPEC: D.T.D. 924, (LATEST ISSUE.)

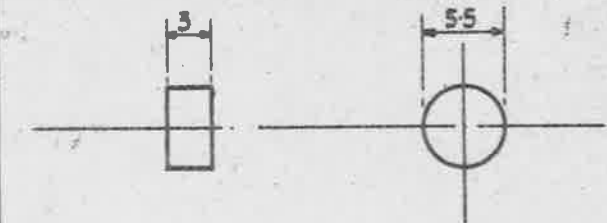
NOTE:- SCREW THREADS TO B.S. SPEC 93, (LATEST ISSUE.)



MATERIAL :- STEEL TO B.S. SPEC: S.1. (LATEST ISSUE.)

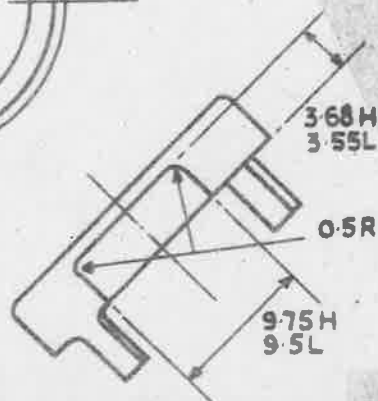
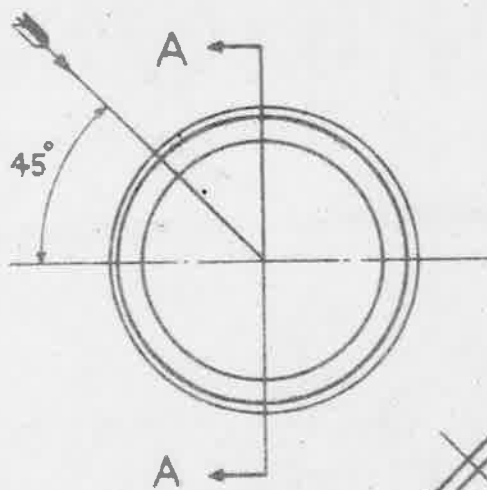
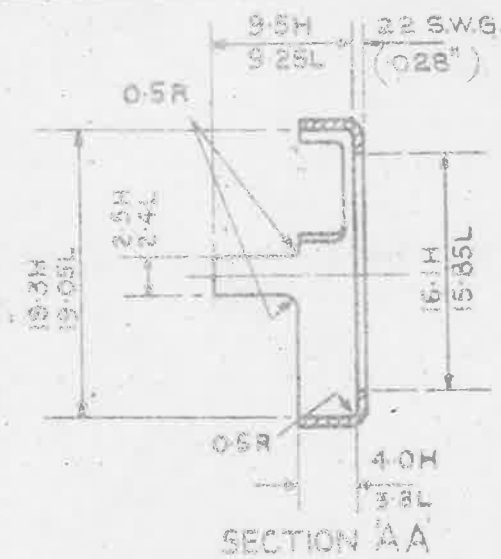
FINISH:- NICKEL PLATE TO SPEC: D.T.D. 910, (LATEST ISSUE.)

**13** CONTACT SCREW.



MATL:- RUBBER SOFT GRADE D.T.D.227

**16** RUBBER PAD



VIEW IN DIRECTION OF ARROW

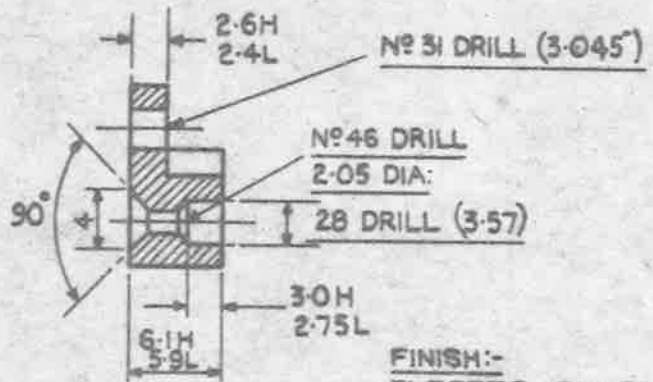
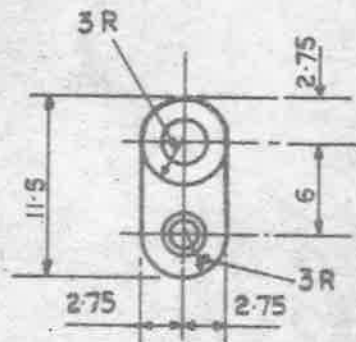
MATERIAL :- BRASS TO B.S. SPEC: 267 (LATEST ISSUE.)  
FINISH:- ELECTRO-TIN TO SPEC: D.T.D. 924, (LATEST ISSUE.)

**14** LOCKING PIECE

NOTE :- DIMENSIONS ARE IN MILLIMETRES UNLESS OTHERWISE STATED.

NOTE :- ALL UNLIMITED MACHINED SURFACES TO BE WITHIN LIMITS.  $\pm 0.10$  OR  $\pm 0.25^M/M$ .

TITLE :- LT PLUG & SOCKET FOR TWIN COIL MAGNETO	ISSUE	3	4	5	7			
	ALT. NO	AS/AGS 663	MOD AGS/711	AS/AGS 648	51			
MINISTRY OF SUPPLY APPLICATIONS FOR A.G.S. SHEETS TO:- ATP4A, THAMES HOUSE, MILLBANK, S.W.1. GENERAL INQUIRIES TO:- A.D. S.A.E. THAMES HOUSE, MILLBANK, S.W.1.	R.A.E. APPROVAL		AD. S.A.E. APPROVAL					
	SIGNATURE	DATE	SIGNATURE	DATE				
		16.3.48	G.T. Gairton	20/4/48				
SHEET NO	5	A.G.S. NO 1752						
NO OF SHEETS	5							



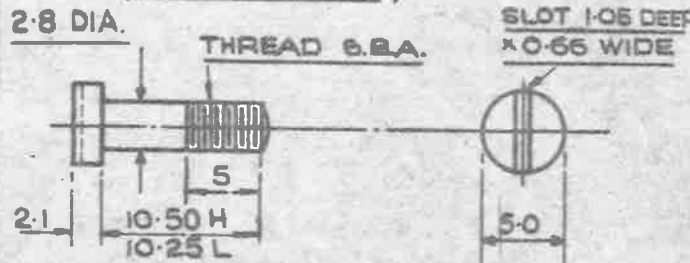
MATERIAL :- BRASS TO B.S. SPEC: 249 OR 251 (LATEST ISSUES.)

12

TERMINAL BLOCK

FINISH:- ELECTRO-TIN TO SPEC: D.T.D. 924, (LATEST ISSUE.)

NOTE :- SCREW THREADS TO B.S. SPEC 93, (LATEST ISSUE.)

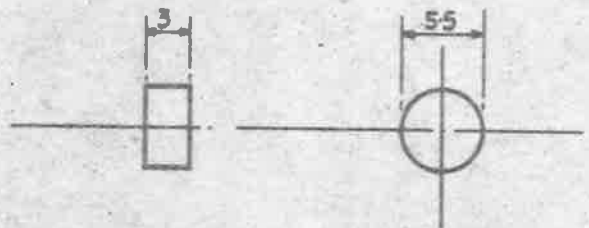


MATERIAL :- STEEL TO B.S. SPEC: S.I. (LATEST ISSUE.)

FINISH :- NICKEL PLATE TO SPEC: D.T.D. 919, (LATEST ISSUE.)

13

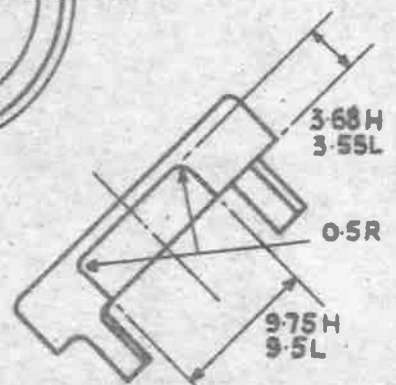
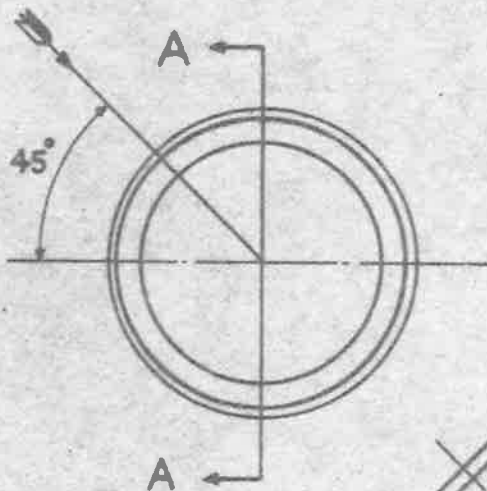
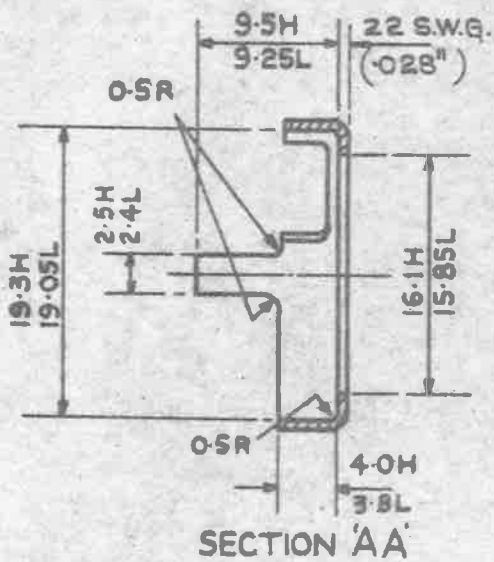
CONTACT SCREW.



MATL :- RUBBER SOFT GRADE D.T.D. 227

16

RUBBER PAD



MATERIAL :- BRASS TO B.S. SPEC: 267 (LATEST ISSUE.)

FINISH :- ELECTRO-TIN TO SPEC: D.T.D. 924, (LATEST ISSUE.)

14

LOCKING PIECE

VIEW IN DIRECTION OF ARROW

NOTE :- DIMENSIONS ARE IN MILLIMETRES UNLESS OTHERWISE STATED.

NOTE :- ALL UNLIMITED MACHINED SURFACES TO BE WITHIN LIMITS. ±.010 OR .25<sup>M</sup>/M.

TITLE :- LT PLUG & SOCKET FOR TWIN COIL MAGNETO

ISSUE	8	A	B	51	SM 6
ALT. NO	AS/AGS 663	MOD 665/711	AS/AGS 646	MOD/AGS 1004	

MINISTRY OF SUPPLY  
APPLICATIONS FOR A.G.S. SHEETS TO:-  
A.T.P.4. BLOCK 'E' CHESSINGTON, SURREY  
GENERAL ENQUIRIES TO:-  
AD/S.A.E. ST GILES COURT, 1-13  
ST. GILES HIGH STREET, LONDON W.C.2.

R.A.E. APPROVAL		AD. S.A.E. APPROVAL	
SIGNATURE	DATE	SIGNATURE	DATE
<i>[Signature]</i>	16. 3. 48	<i>[Signature]</i>	20/4/48
SHEET NO	5	A.G.S. NO 1752	
NO OF SHEETS	5		