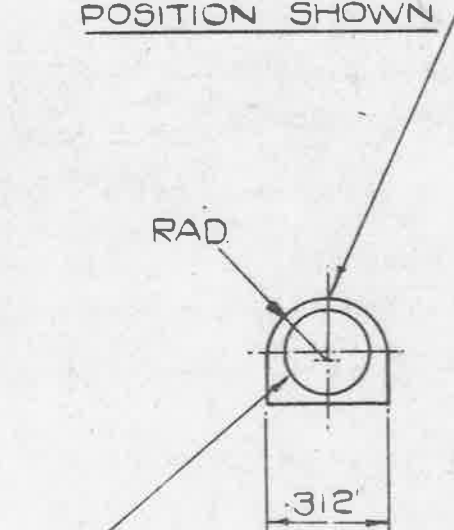
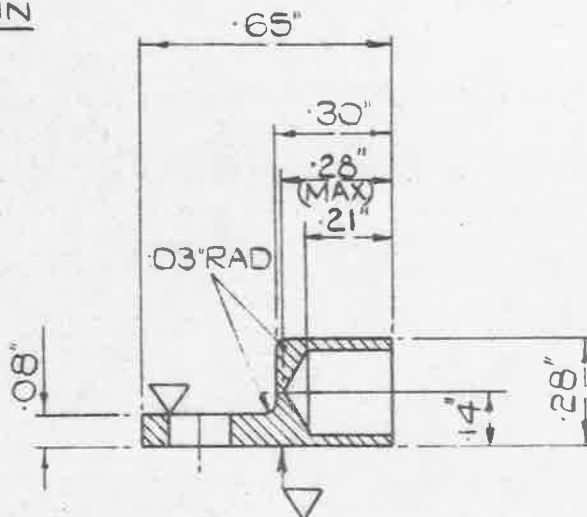


OBSOLESCE

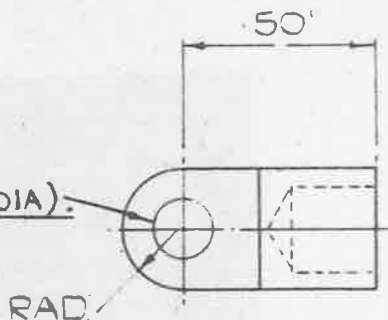
A.G.S. 1761 TO BE LEGIBLY AND DURABLY MARKED IN POSITION SHOWN



HOLE 7/32" DIA. DRILL



HOLE N° 24 DRILL (.152" DIA)



MACHINE WHERE MARKED ▽

MATERIAL :- BRASS TO B.S SPEC N° 249 (LATEST ISSUE)
 OR DIE CASTING TO B.S SPEC. N° 1400(B4-C) (LATEST ISSUE)
 OR DROP STAMPING TO B.S SPEC. N° 218 (LATEST ISSUE)

FINISH :- ELECTRO - TIN TO SPEC. D.T.D. 924 (LATEST ISSUE)

NOTE :- BASED ON R.A.E. DRAWING N° EL. 26276

REF. N° 5C/3137.

SCALE :- 2/1.

TITLE :- LUG TERMINAL N° 25.		ISSUE	3				
		ALT. N°	Mod/AGS 796				
MINISTRY OF SUPPLY APPLICATIONS FOR A.G.S. SHEETS TO:- ATP 4A, THAMES HOUSE, MILLBANK, S.W.1.		R.A.E. APPROVAL		AD. S.A.E. APPROVAL			
		SIGNATURE	DATE	SIGNATURE	DATE		
GENERAL INQUIRIES TO:- A.D.S.A.E. THAMES HOUSE, MILLBANK, S.W.1.		SHEET N°	1	A.G.S. N° 1761.			
		N° OF SHEETS	1				