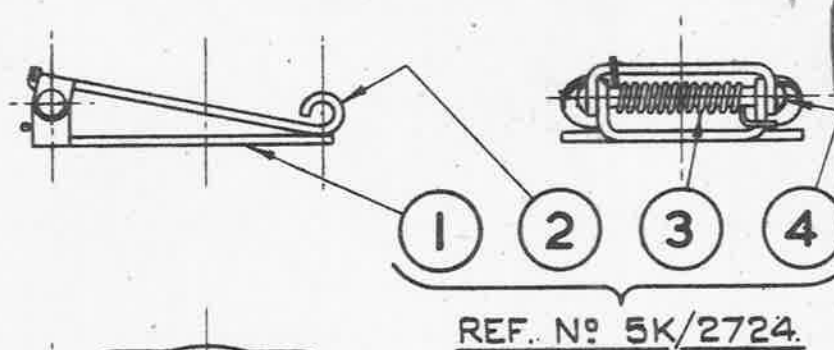


BASED ON DRG. EL. 31793.

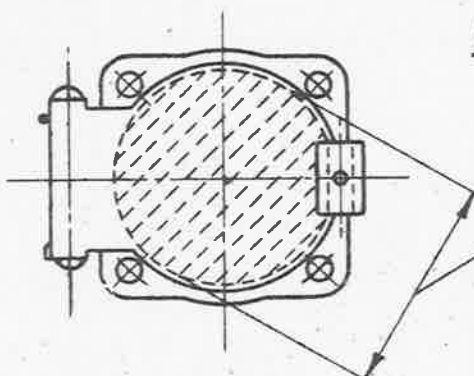
MINISTRY OF SUPPLY A.G.S. N° 1765.

SHEET N° 1

N° OF SHEETS 5

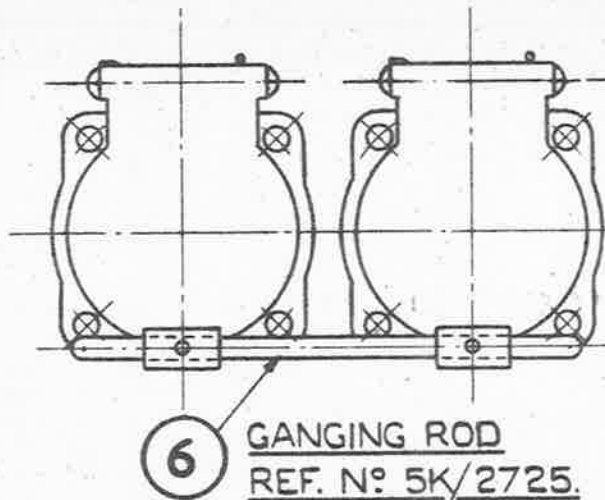


FORM SNAP HEADS AS FOR 3/32" DIA. RIVETS AT BOTH ENDS ON ASSEMBLY. FINISH BLACK ENAMEL TO SPEC. D.T.D. 260 (LATEST ISSUE)



5 WATER SLIDE TRANSFER
 PRINTING TO BE WITHIN 1.125" DIA.
 LETTERING AS SHOWN ON R.A.E. DRG.
 Z. 3587 ARRANGED IN STRAIGHT LINES.
 FOR LIST OF TRANSFERS SEE
 A.G.S. 1765, SHEET 2.

3.5.48
 7/STAND/69



ASSEMBLY SHOWING TWO COVERS MOUNTED TOGETHER.

ITEM N°	DRAWING N°	DESCRIPTION.	N° OFF PER COVER.	REMARKS.	
1	A.G.S. 1765, SH: 3	BASE.	1		
2	A.G.S. 1765, SH: 4	COVER.	1		
3	A.G.S. 1765, SH: 5	SPRING	1		
4	N.D.	PIN	1	3/32" DIA. BRASS ROD SPEC. D.T.D. 627. (LATEST ISSUE) 1-1/8" ± .02" LONG.	
5	N.D.	WATER SLIDE TRANSFER	1		
6	A.G.S. 1765, SH: 5	GANGING ROD.		1 OFF FOR CONNECTING 2 SPRING COVERS	
ISSUED BY THE ROYAL AIRCRAFT ESTABLISHMENT		TITLE: ARRANGEMENT OF SPRING COVER FOR BUTTONS, PUSH.		DRAWN C.T. Reynolds.	TRACED J.F.L. 8.3.48.
		ISSUE N°	5	CHECKED	APPROVED
		ALTERN° N°	AS/AGS 957		

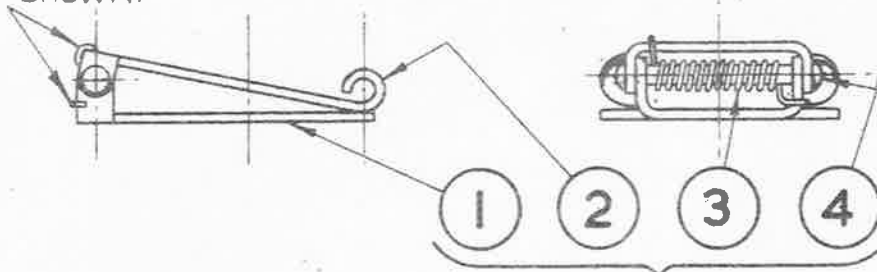
BASED ON DRG. EL. 31793.

MINISTRY OF SUPPLY A.G.S. N° 1765.

SHEET N° 1

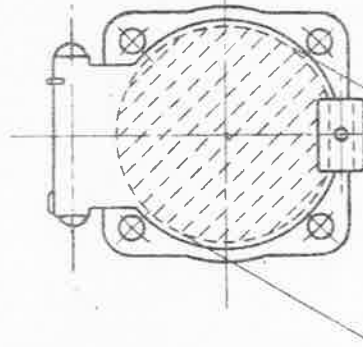
N° OF SHEETS 5

ENSURE THAT SPRING ENDS ARE TURNED OVER AND BEARING AT POINTS SHOWN.



FORM SNAP HEADS AS FOR 3/32" DIA. RIVETS AT BOTH ENDS ON ASSEMBLY. FINISH BLACK ENAMEL TO SPEC. D.T.D. 260 (LATEST ISSUE).

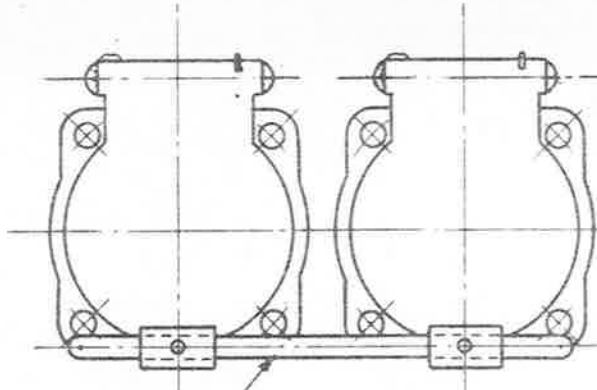
REF. N° 5K/2724.



5 WATER SLIDE TRANSFER

PRINTING TO BE WITHIN 1.125 DIA. LETTERING AS SHOWN ON R.A.E. DRG. Z. 3587 ARRANGED IN STRAIGHT LINES. FOR LIST OF TRANSFERS SEE A.G.S. 1765, SHEET 2.

3.5.48
7/STAND/69



6 GANGING ROD
REF. N° 5K/2725.

ASSEMBLY SHOWING TWO COVERS MOUNTED TOGETHER.

SCALE: FULL SIZE.

ITEM N°	DRAWING N°	DESCRIPTION.	N° OFF PER COVER.	REMARKS.
1	A.G.S. 1765, SH: 3	BASE.	1	
2	A.G.S. 1765, SH: 4	COVER.	1	
3	A.G.S. 1765, SH: 5	SPRING	1	
4	N.D.	PIN	1	3/32" DIA. BRASS ROD SPEC. D.T.D. 627. (LATEST ISSUE) 1.1 1/2" LONG.
5	N.D.	WATER SLIDE TRANSFER	1	
6	A.G.S. 1765, SH: 5	GANGING ROD.		1 OFF FOR CONNECTING 2 SPRING COVERS
ISSUED BY THE ROYAL AIRCRAFT ESTABLISHMENT	TITLE: ARRANGEMENT OF SPRING COVER FOR BUTTONS, PUSH.		DRAWN C.T. Reynolds.	TRACED J.F.L. 8.3.48.
	ISSUE N°	8 6	CHECKED	APPROVED
	ALTER# N°	AS/AGS 957 MOD/AGS 971		

WHITE LETTERING ON BLACK BACKGROUND		
STORES REF. N ^o	MARKING	
5K/2819	HOOD JETTISON	
5K/2834	ABANDON AIRCRAFT	
5K/2835	DEFUZE, THEN JETTISON	

WHITE LETTERING ON BLACK BACKGROUND		
STORES REF. N ^o	MARKING	
5K/2731	BOMB RELEASE	
5K/2732	BOMB CIRCUIT TEST	
5K/2733	BOOST STARTER	
5K/2734	CONTROL TEST	
5K/2736	ENGINE STARTING	
5K/2737	JETTISON	
5K/2738	BOMB JETTISON	
5K/2739	CONTAINER JETTISON	
5K/2740	JETTISON SAFE	
5K/2741	JETTISON SAFE. (ALL)	
5K/2742	JETTISON SAFE (SELECTED ONLY)	
5K/2743	OIL DILUTION	
5K/2744	SETTING	
5K/2745	UNDERCARRIAGE HORN TEST	
5K/2747	FUEL TANK JETTISON	
5K/2806	TEST	
5K/2807	FIRING	
5K/2808	LOSS OF COOLANT TEST	
5K/2810	DOWNWARD IDENTIFICATION	
5K/2811	LIFEBOAT	
5K/2814	R. A. T. O. G. JETTISON	
5K/2815	BOMBS/ PENTANE JETTISON	
5K/2816	SONOBOY JETTISON	
5K/2817	PROPELLER UNFEATHERING	
5K/2818	SIGNAL DISCHARGER	

WHITE LETTERING ON RED BACKGROUND	
STORES REF. N ^o	MARKING
5K/2726	FIRE EXTINGUISHER
5K/2727	ENGINE FIRE EXTINGUISHER
5K/2728	FUEL TANK FIRE EXTINGUISHER
5K/2729	JETTISON LIVE
5K/2730	JETTISON LIVE (ALL)

RED LETTERING ON BLACK BACKGROUND	
STORES REF. N ^o	MARKING
5K/2735	DANGER F.

TITLE: - LIST OF TRANSFERS SPRING COVER FOR BUTTONS, PUSH

ISSUE **SM 244**
ALTN^o AS/AGS 789 MOD/AGS 862

MINISTRY OF SUPPLY
 APPLICATIONS FOR A.G.S. SHEETS TO:
 ATP 4A. THAMES HOUSE, MILLBANK, S.W.1.

R.A.E. APPROVAL **AD. S.A.E. APPROVAL**
 SIGNATURE: H. Palmer DATE: 6-3-50 SIGNATURE: G. T. Hamber DATE: 23/3/50

GENERAL INQUIRIES TO:
 AD. S.A.E. THAMES HOUSE, MILLBANK, S.W.1.

SHEET N^o 2
N^o OF SHEETS 5

A.G.S. N^o 1765

BASED ON DRAWING FL 31798

A.G.S. 1765

WHITE LETTERING ON RED BACKGROUND		WHITE LETTERING ON BLACK BACKGROUND		WHITE LETTERING ON BLACK BACKGROUND	
STORES REF. N°	MARKING	STORES REF. N°	MARKING	STORES REF. N°	MARKING
5K/2726	FIRE EXTINGUISHER	5K/2731	BOMB RELEASE	5K/2819	HOOD JETTISON
5K/2727	ENGINE FIRE EXTINGUISHER	5K/2732	BOMB CIRCUIT TEST	5K/2834	ABANDON AIRCRAFT
5K/2728	FUEL TANK FIRE EXTINGUISHER	5K/2733	BOOST STARTER	5K/2835	DEFUZE, THEN JETTISON
5K/2729	JETTISON LIVE	5K/2734	CONTROL TEST	5K/3363	NORMAL
5K/2730	JETTISON LIVE (ALL)	5K/2736	ENGINE STARTING	5K/3364	IGNITION
		5K/2737	JETTISON	5K/3365	PROPELLER FEATHERING & UNFEATHERING
		5K/2738	BOMB JETTISON		
		5K/2739	CONTAINER JETTISON		
		5K/2740	JETTISON SAFE		
		5K/2741	JETTISON SAFE (ALL)		
		5K/2742	JETTISON SAFE (SELECTED ONLY)		
		5K/2743	OIL DILUTION		
		5K/2744	SETTING		
		5K/2745	UNDERCARRIAGE HORN TEST		
		5K/2747	FUEL TANK JETTISON		
		5K/2806	TEST		
		5K/2807	FIRING		
		5K/2808	LOSS OF COOLANT TEST		
		5K/2810	DOWNWARD IDENTIFICATION		
		5K/2811	LIFEBOAT		
		5K/2814	R.A.T.O.G. JETTISON		
		5K/2815	BOMBS/PENTANE JETTISON		
		5K/2816	SONOBUOY JETTISON		
		5K/2817	PROPELLER UNFEATHERING		
		5K/2818	SIGNAL DISCHARGER		

WHITE LETTERING ON RED BACKGROUND		RED LETTERING ON BLACK BACKGROUND	
STORES REF. N°	MARKING	STORES REF. N°	MARKING
5K/2735	DANGER F.		

TITLE: - LIST OF TRANSFERS SPRING COVER FOR BUTTONS, PLUSH

ISSUE 16 *5K/2745 5K/2747*

ALT. N°	AS/AGS	MOD/AGS	MOD/AGS
	789	862	971

MINISTRY OF SUPPLY
 APPLICATIONS FOR A.G.S. SHEETS TO:
 AT.P.4A. THAMES HOUSE, MILLBANK, S.W.1.

R.A.E. APPROVAL		AD. S.A.E. APPROVAL	
SIGNATURE	DATE	SIGNATURE	DATE
<i>H. Palmer</i>	6-3-50	<i>G. I. Tamplin</i>	23/3/50

GENERAL INQUIRIES TO:-
 A.D. S.A.E. THAMES HOUSE, MILLBANK, S.W.1.

SHEET N°	2	A.G.S. No 1765
N° OF SHEETS	5	

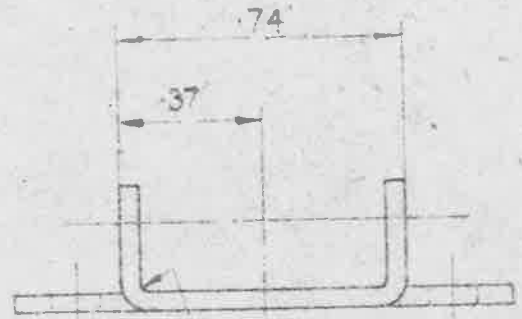
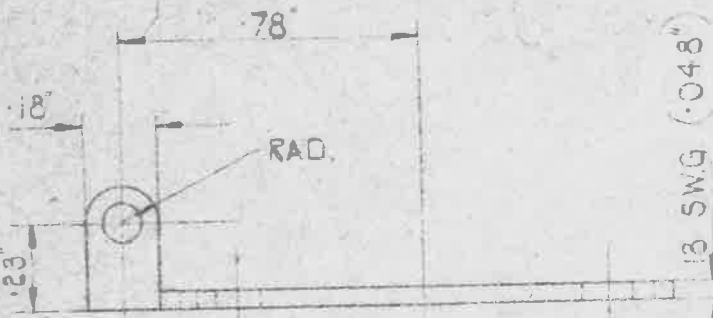
BASED ON DRG. EL. 31794

MINISTRY OF
SUPPLY

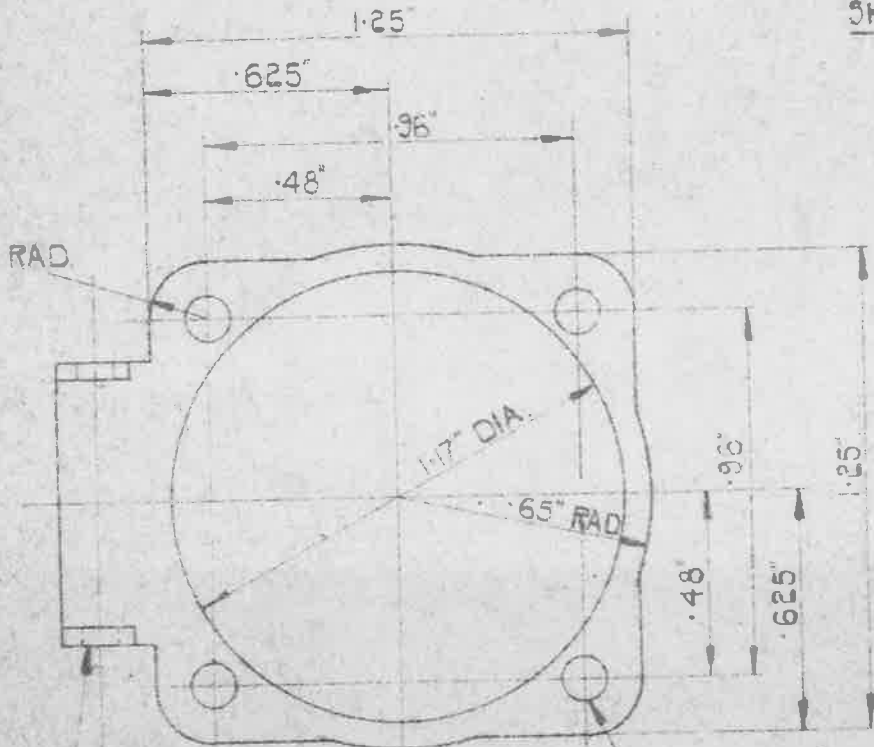
A.G.S. NO 1765

SHEET NO 3

NO OF SHEETS. 5



BENDS TO BE AS SHARP AS POSSIBLE.



2 HOLES, .086" DIA.
(NO 41 DRILL)

4 HOLES .120" DIA
(NO 31 DRILL)

UNLIMITED DIMENSIONS
TO BE WITHIN ±.005



SCALE - 2/1

MATERIAL - BRASS TO B.S. SPEC. 265.

FINISH - TO BE BLACK ENAMELLED TO SPEC. D.T.D. 260. (LATEST ISSUE)

ISSUED BY THE ROYAL AIRCRAFT ESTABLISHMENT	TITLE: BASE. SPRING COVER FOR BUTTONS, PUSH				DRAWN C.T. Reynolds	TRACED B.E.H. 2-12-46
	ISSUE NO	2			CHECKED W. Moor	APPROVED W. Moor
	ALTERN NO	MOD. NO AGS/648	AS/AGS 789			

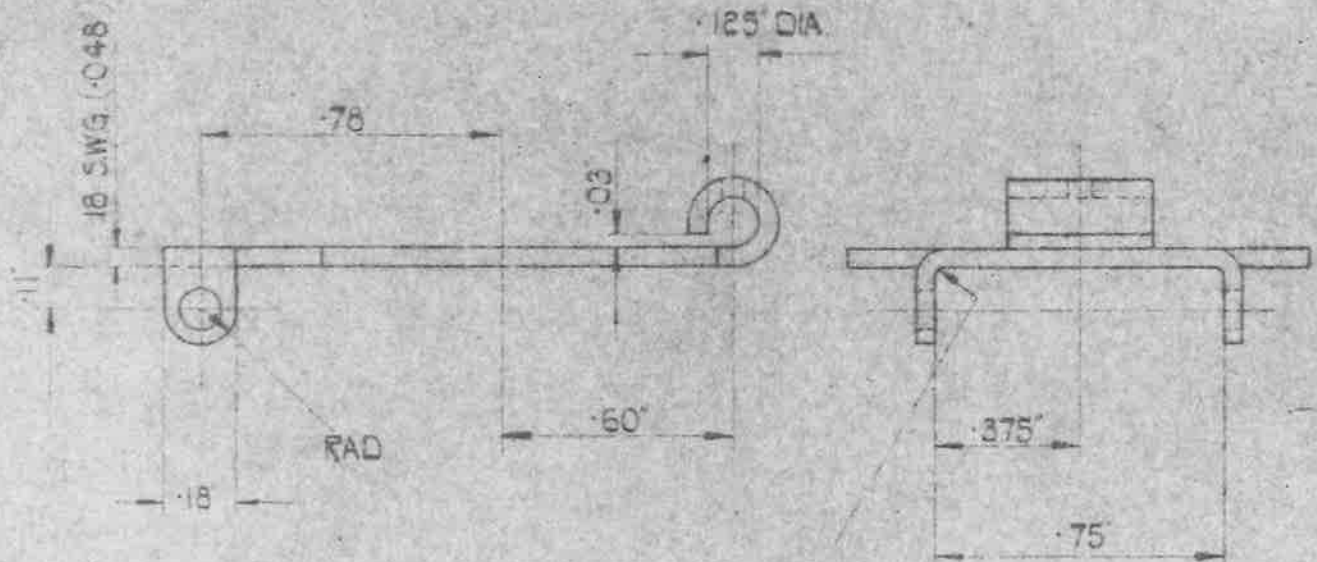
BASED ON DRG. EL. 31735

MINISTRY OF SUPPLY

A.G.S. N^o 1765

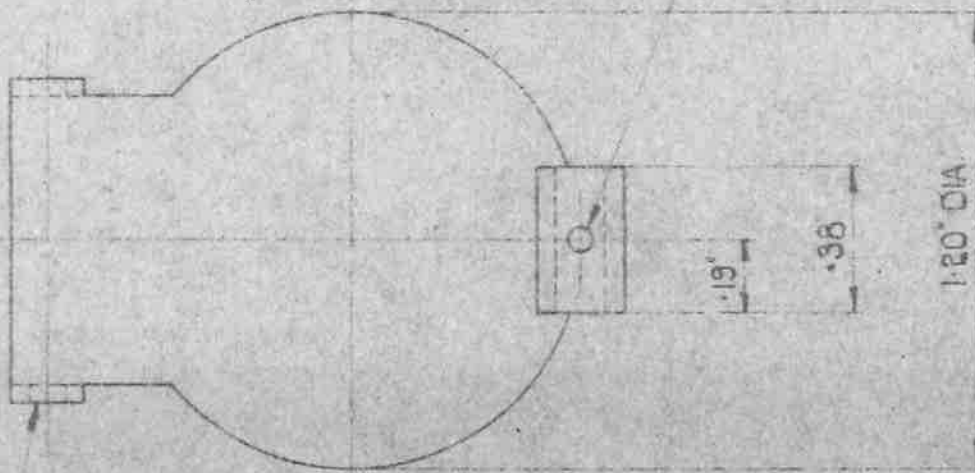
SHEET N^o 4

N^o OF SHEETS. 5



BENDS TO BE AS SHARP AS POSSIBLE

1/16" DIA DRILL



2 HOLES .036" DIA.
(N^o 41 DRILL)

2

UNLIMITED DIMENSIONS
TO BE WITHIN .005

SCALE = 2/1

MATERIAL: BRASS TO B.S. SPEC: 265.

FINISH: TO BE BLACK ENAMELLED TO SPEC: DTD 260 (LATEST ISSUE)

ISSUED BY THE ROYAL AIRCRAFT ESTABLISHMENT	TITLE: COVER			DRAWN CT Reynolds.	TRACED B.E.H. 3-12-46
	SPRING COVER FOR BUTTONS, PLSH.				
	ISSUE N ^o	7	2	CHECKED <i>[Signature]</i>	APPROVED <i>[Signature]</i>
ALTERN N ^o	MOD N ^o AGS/648	AGS/789			

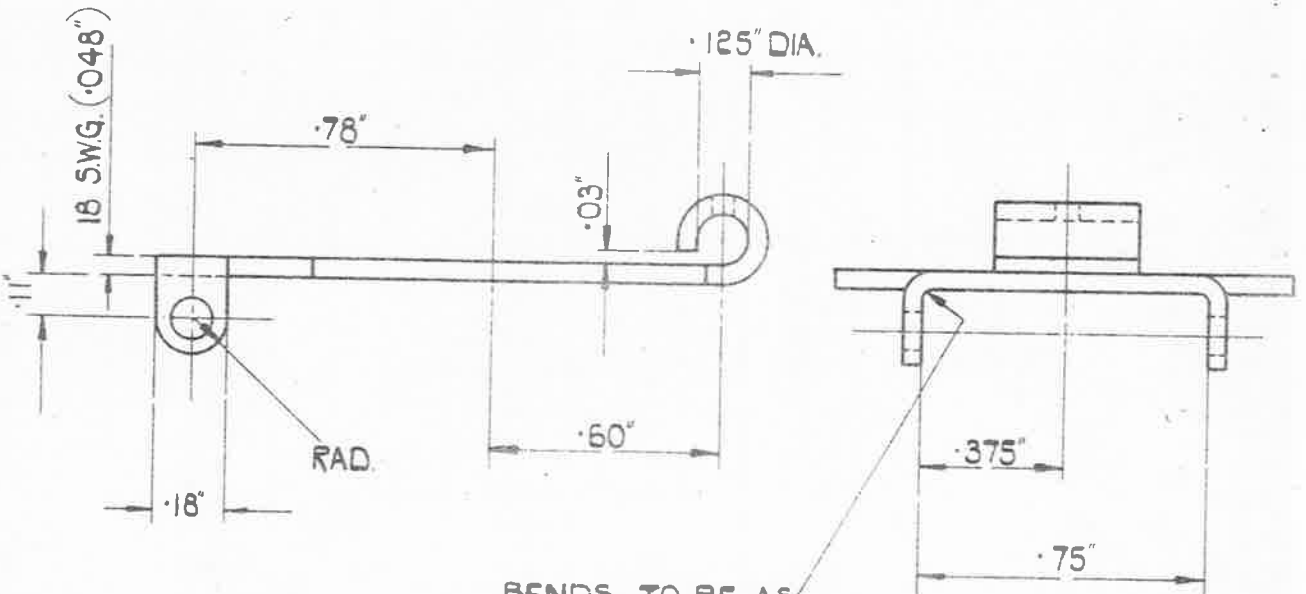
BASED ON DRG. E.L. 31795

MINISTRY OF
SUPPLY

A.G.S. NO 1765

SHEET NO 4

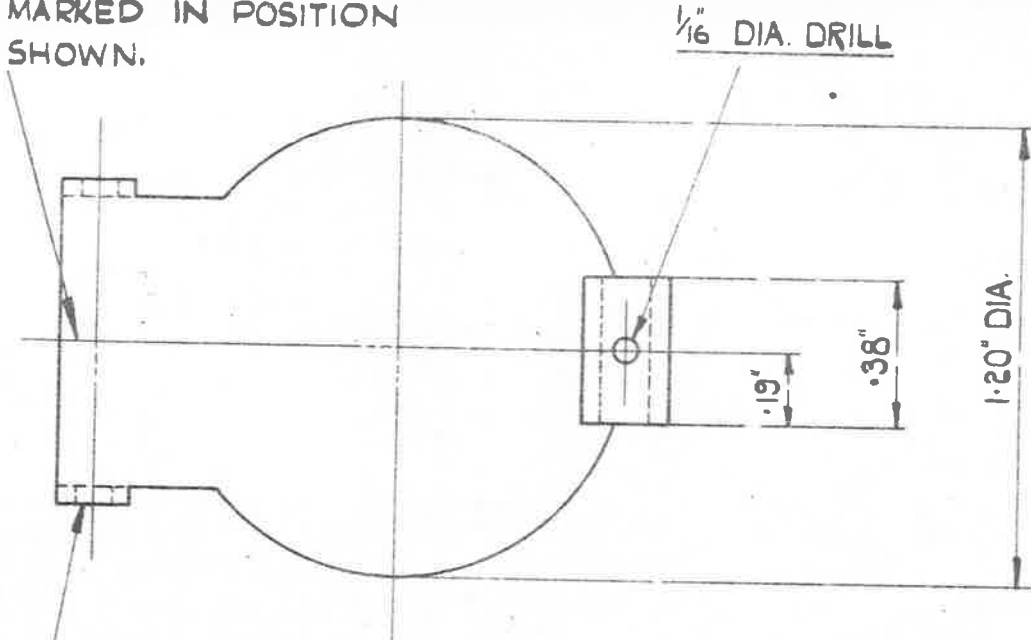
NO OF SHEETS 5



BENDS TO BE AS SHARP AS POSSIBLE

24.4.47
7/STAND/69.

A.G.S. 1765 TO BE LEGIBLY AND DURABLY MARKED IN POSITION SHOWN.



2 HOLES .096" DIA.
(Nº 41 DRILL)

2

UNLIMITED DIMENSIONS
TO BE WITHIN ± 0.005 "

SCALE = 2/1

MATERIAL: BRASS TO B.S. SPEC: 265. (LATEST ISSUE)

FINISH: TO BE BLACK ENAMELLED TO SPEC: D.T.D. 260 (LATEST ISSUE)

ISSUED BY THE ROYAL AIRCRAFT ESTABLISHMENT	TITLE:- COVER			DRAWN	TRACED
	SPRING COVER FOR BUTTONS, PUSH.			C.T. Reynolds.	B.E.H. 3-12-46.
	ISSUE NO	7	2	3	CHECKED
ALTERN NO	MOD. 198 AGS/648	AS/AGS 789.	MOD/AGS 971	S.M. 7/6/46	S.M. 6/12/46

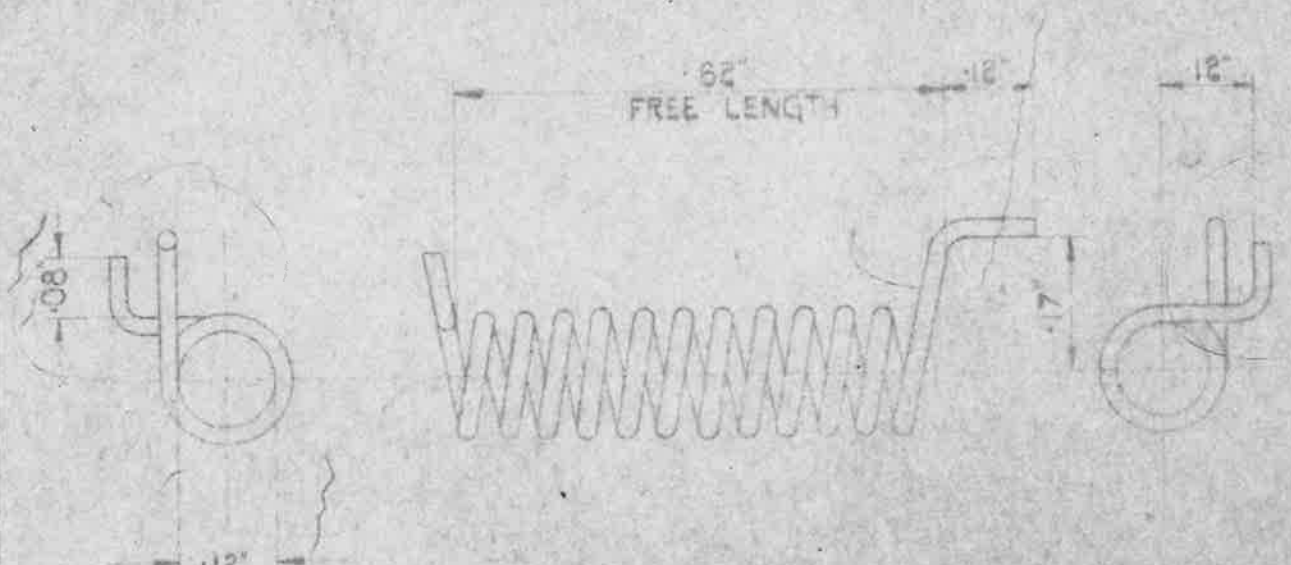
29.4.47 G.4.50

BASED ON DRG. EL. 31736

MINISTRY OF SUPPLY A.G.S. NO 1765

SHEET NO 5 NO OF SHEETS 5

8X13



.12\"/>

12 TURNS OF NO 24 SWG (.022\"/>

SPRING

3

SCALE = 1/4

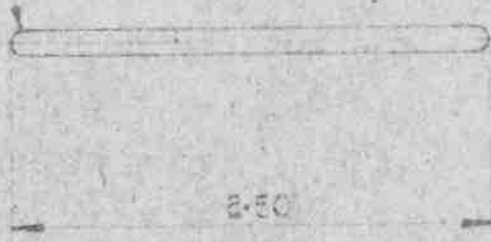
MATERIAL: PHOSPHOR BRONZE WIRE TO B.S. SPEC. 384.

BASED ON DRG. EL. 31797

RADIUSED ENDS

10 SWG .128

REF NO 5K/2725.



GANGING ROD

6

SCALE = FULL SIZE

MATERIAL: BRASS

FINISH: TO BE BLACK ENAMELLED TO SPEC. DTD. 260 (LATEST ISSUE)

ISSUED BY THE ROYAL AIRCRAFT ESTABLISHMENT	TITLE: SPRING & GANGING ROD			DRAWN C. G. ...	TRACED B.C.H. 3-12-46
	SPRING COVER FOR BUTTONS, PUSH				
	ISSUE NO	2		CHECKED	APPROVED
ALTERN NO	MOB 3 103/600	25/465 703			

BASED ON DRG. EL 31796

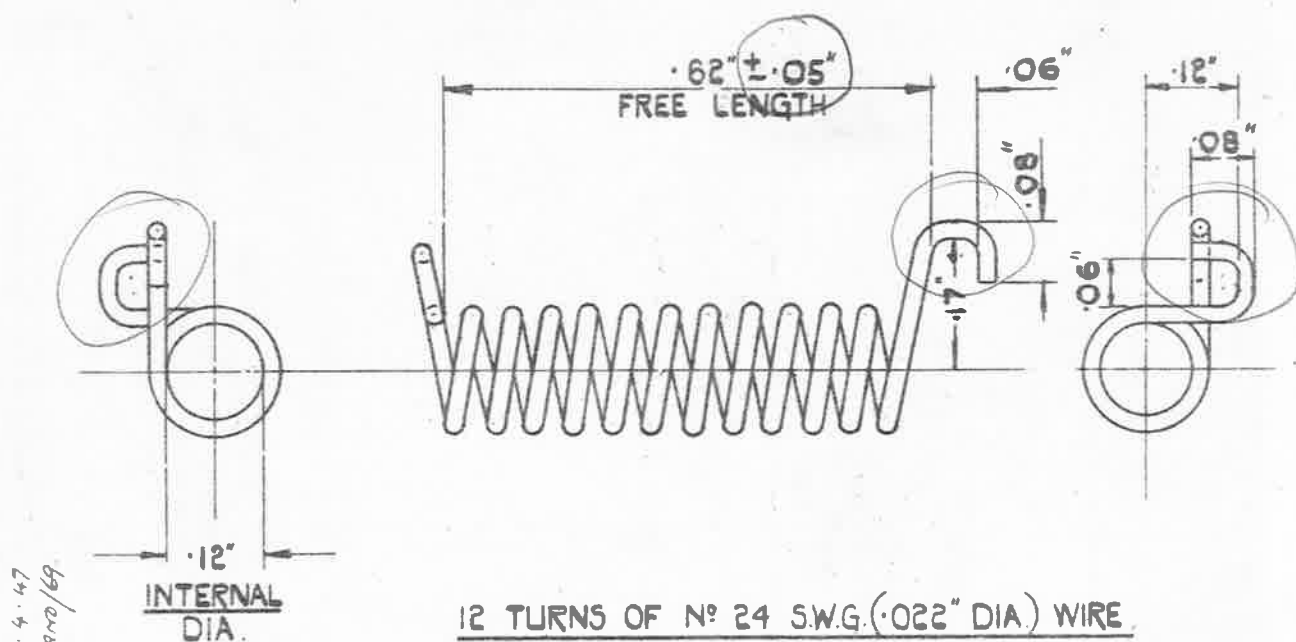
MINISTRY OF
SUPPLY

A.G.S. No 1765

SHEET No 5

No OF SHEETS. 5

UNLIMITED DIMENSIONS
TO BE WITHIN $\pm .01$ "



SPRING.

3

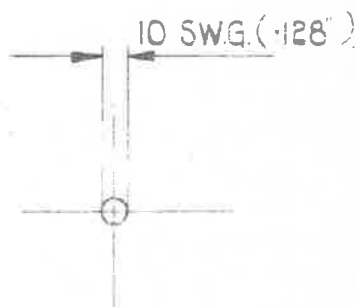
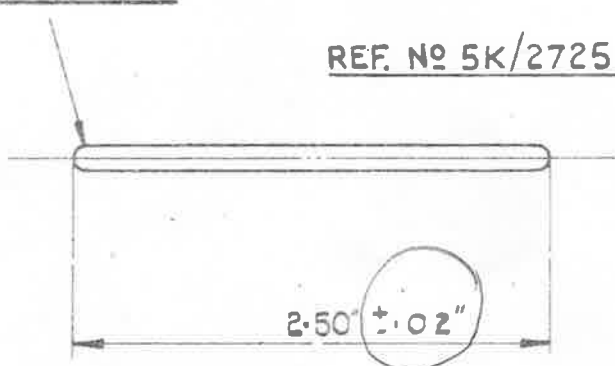
SCALE: $\frac{4}{1}$

MATERIAL: PHOSPHOR BRONZE WIRE TO B.S. SPEC. 384. (LATEST ISSUE)

BASED ON DRG. EL. 31797

RADIUSED ENDS.

REF. No 5K/2725.



GANGING ROD.

6

SCALE: FULL SIZE

MATERIAL: BRASS

FINISH: TO BE BLACK ENAMELLED TO SPEC. D.T.D. 260. (LATEST ISSUE)

ISSUED BY THE ROYAL AIRCRAFT ESTABLISHMENT	TITLE: SPRING & GANGING ROD. SPRING COVER FOR BUTTONS, PUSH.			DRAWN c.T. Reynolds	TRACED BEH 3.12.46	
	ISSUE NO	1	2			3
	ALTERN NO	MOD. N° AGS/648	AS/AGS 789	MOD. AGS 971	1/1/46	1/1/46