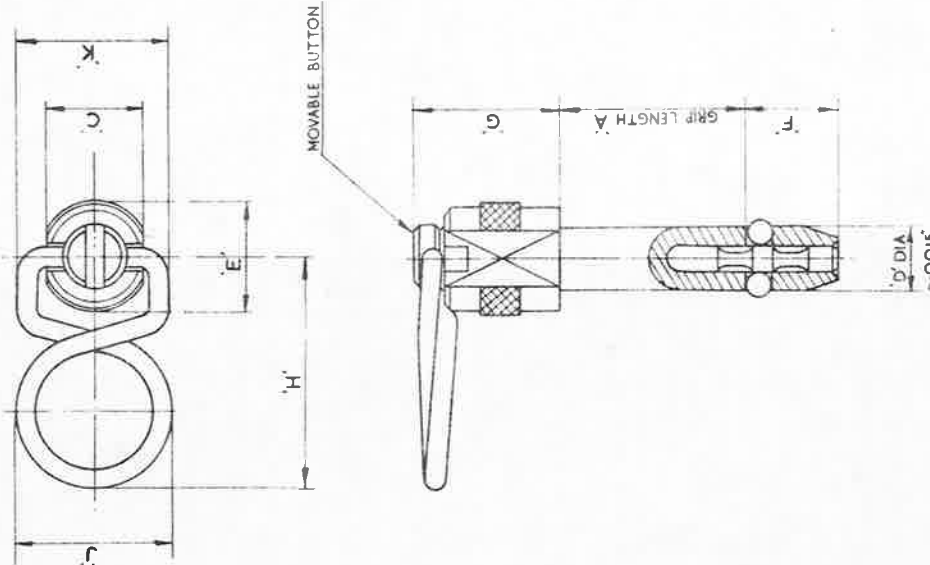


NOTE: THIS STANDARD & THE 'A' TYPE 'PIP' PIN MANUFACTURED BY AVIATION DEVELOPMENTS ARE IDENTICAL.

A.G.S. 2105.

1 SR 545



METHOD OF CALL UP PART 16 PLUS
 CODE NUMBER E G AGS 2105/407
 DENOTES A 1/4" PIN WITH GRIP LENGTH
 OF 70"

LENGTH 'A'	CODE NUMBERS									
	403	504	605	706	807	908	1009	1110	1211	1312
30"										
40"										
50"										
60"										
70"										
80"										
90"										
1 00"										
1 10"										
1 20"										
1 30"										
1 40"										
1 50"										
1 60"										
1 70"										
1 80"										
1 90"										
2 00"										
2 10"										
2 20"										
2 30"										
2 40"										
2 50"										
2 60"										
2 70"										
2 80"										
2 90"										
3 00"										
3 10"										
3 20"										
3 30"										
3 40"										
3 50"										
3 60"										
3 70"										
3 80"										
3 90"										
4 00"										
DIA 'D'	1/4"	5/16"	3/8"	1/2"	9/16"	5/8"	3/4"	7/8"	1"	
'C'	365	445	525	710	710	920	920	110	110	10
'E'	436	500	625	625	813	813	1000	1000	125	125
'F'	41	47	52	52	60	66	74	80	93	108
'G'	72	78	85	85	93	99	108	120	133	150
'H'	1 31	1 31	1 39	1 39	1 51	1 51	1 78	1 78	1 89	1 89
'J'	94	94	99	99	99	99	114	114	114	114
'K'	66	66	86	86	104	104	132	132	150	150

REF.	DRAWING OR PART No.	DESCRIPTION	UNIT QTY	MATERIAL—REMARKS
		STEEL		S 94

PT	RS 116 NO PAINT	SCALE	LIMITS NOT SHOWN	THIRD ANGLE PROJECTION
				AGS 2105

ISSUED ON	DESIGNED BY	DRAWN BY	TRACED BY	CHECKED BY	APPROVED FOR DATE
	AV. DEV.	F. A. L.	F. A. L.	F. A. L.	28/1/50

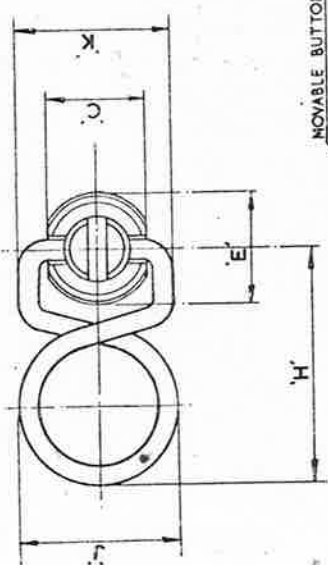
ISSUED BY THE SOCIETY OF BRITISH AIRCRAFT ENGINEERS LTD.,
 28, KING STREET, ST. JAMES, LONDON, S.W.1.

SIZE C-15-20

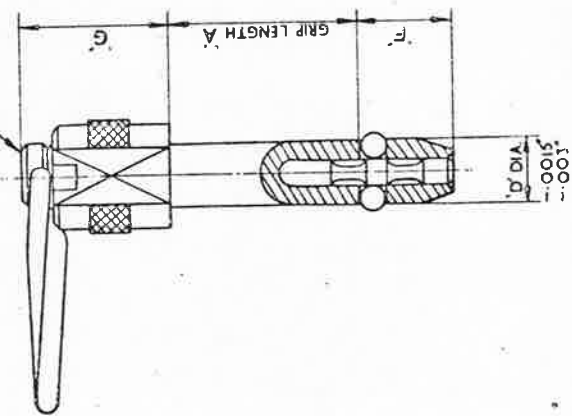
A.G.S. 2105.

1	F.131
2	F.155
3	767007

SM2148



MOVABLE BUTTON



DO NOT USE UNASSIGNED PART NUMBERS.

LENGTH 'A'	CODE NUMBERS
4-10"	641
4-20"	742
DIA 'D'	3/8" 7/16"

METHOD OF CALL UP: PART NO. PLUS CODE NUMBER E.G. AGS 2105/407 DENOTES A 1/4 PIN WITH GRIP ENGT. OF 70°

LENGTH 'A'	CODE NUMBERS
3-0"	403
4-0"	504
5-0"	505 605
6-0"	506 706
7-0"	607 807
8-0"	508 508 708
9-0"	509 509 809
1-00"	510 510 710 910
1-10"	611 711 811 1011
1-20"	512 612 712 912
1-30"	613 813 1013
1-40"	514 714 914 1214
1-50"	515 615 815 1015 1215
1-60"	416 516 716 916 1216
1-70"	417 517 617 817 1017 1417
1-80"	418 518 618 818 1018 1218
1-90"	419 519 619 819 1019 1419
2-00"	420 520 720 920 1220 1620
2-10"	421 621 821 1021 1421
2-20"	422 522 722 922 1222 1622
2-30"	423 523 623 823 1023 1223 1423
2-40"	424 524 624 824 1024 1224 1624
2-50"	425 525 725 925 1025 1425
2-60"	426 626 826 1026 1426 1626
2-70"	427 527 627 827 1027 1427
2-80"	428 528 628 828 928 1228 1628
2-90"	429 629 829 1029 1429
3-00"	630 930 1230 1630
3-10"	631 1031 1431
3-20"	1232 1632
3-30"	833 1033 1433
3-40"	1234 1634
3-50"	1435 1635
3-60"	1236 1636
3-70"	437 1437
3-80"	1438 1638
3-90"	1439 1639
4-00"	1640
DIA 'D'	1/4" 5/16" 3/8" 7/16" 1/2" 9/16" 5/8" 3/4" 7/8" 1"
'C'	385 445 525 625 710 710 920 920 1110 1110
'E'	438 500 625 813 813 1000 1000 125 125
'F'	41 47 52 52 60 68 74 80 93 108
'G'	72 76 86 93 99 108 120 133 150
'H'	131 131 139 139 151 151 178 178 189 189
'J'	94 94 99 99 114 114 141 141
'K'	65 65 86 104 104 131 131 150 150

MATERIAL: PIN, STEEL S.95 OR ANVIL SPECN. M.2.2 (M.2.A/A.10) APPROVAL No. 1455

REF	DRAWING OR PART	DESCRIPTION	UNIT QTY	REMARKS
PT	1/16 PA	SCALE	LIMITS NOT SHOWN	THIRD ANGLE PROJECTION
PIE PINS PUSH-PULL				AGS 2105

ISSUED BY THE SOCIETY OF BRITISH AEROSPACE COMPANIES LTD., 19, KING STREET, ST. JAMES'S, LONDON, S.W.1.