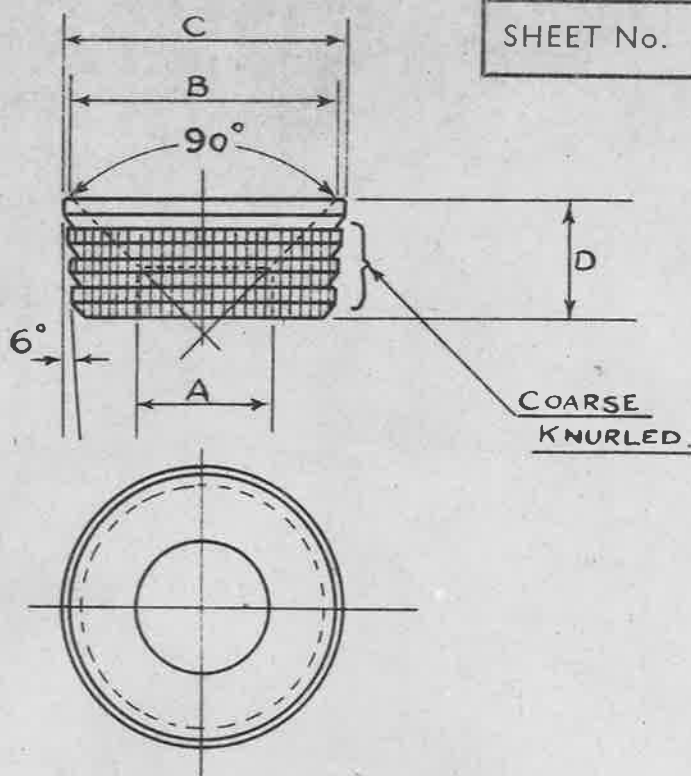


11-6-30  
F.S. WIGLEY



SCREW GAUGE.	A. & MORSE DRILL	DIA. B.	DIA C.	D.	Nº OF KNURLED RINGS.
2	.089, 43	.18"	.22"	.10"	2
4	.120, 31	.24"	.28"	.14"	2
6	.1495, 25	.30"	.34"	.16	2
8	.1800, 15	.36"	.40"	.18"	2
10	.2090, 4	.42"	.46"	.20"	3
12	.242, C	.48"	.52"	.22"	3
14	.272, I	.54"	.58"	.24"	3
16	.302, N	.60"	.64"	.26"	3
18	.332, Q	.66"	.70"	.28"	3
20	.368, U	.71"	.75"	.30"	4

SPECIFICATION.

MATERIAL TO BE BRASS BAR TO BRITISH STANDARD SPECIFICATION B.6. LATEST ISSUE.

ISSUED BY DRAWING OFFICE DIRECTORATE OF TECHNICAL DEVELOPMENT AIR MINISTRY	TITLE— SCREW CUPS (BRASS)		RETRACED FOR A.P.C.	DRAWN <i>[Signature]</i>	TRACED E.A. LANG 13.5.30.
	ISSUE No. 1			CHECKED <i>[Signature]</i>	APPROVED <i>[Signature]</i>