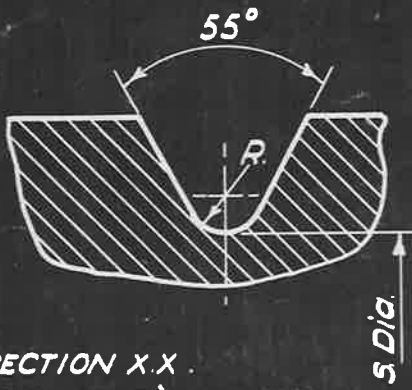
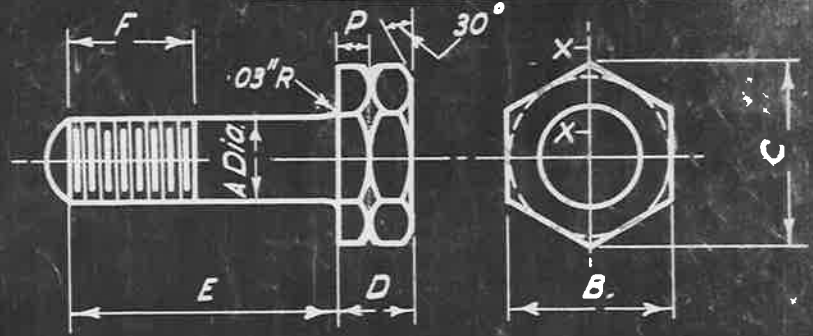


25-9-30.  
F.S. WIGLEY.



SECTION X X  
(ENLARGED.)



SIZE MARK.	A AND THREAD (B.S.F.)	B		D		APPROX. MAX. C	P	R	S
		MAX.	MIN.	MAX.	MIN.				
1	$\frac{7}{32} +0 -0.005$ "	.413"	.410"	.16"	.15"	.48"	.07"	.01"	.42"
2	$\frac{1}{4} +0 -0.005$ "	.445"	.440"	.19"	.18"	.51"	.08"	.01"	.45"
3	$\frac{9}{32} +0 -0.005$ "	.525"	.520"	.22"	.21"	.61"	.10"	.01"	.53"
4	$\frac{5}{16} +0 -0.006$ "	.525"	.520"	.22"	.21"	.61"	.10"	.01"	.53"
5	$\frac{3}{8} +0 -0.006$ "	.600"	.595"	.27"	.26"	.69"	.12"	.01"	.61"
6	$\frac{7}{16} +0 -0.007$ "	.710"	.705"	.33"	.32"	.82"	.15"	.02"	.72"
7	$\frac{1}{2} +0 -0.007$ "	.820"	.815"	.38"	.37"	.95"	.17"	.02"	.83"
8	$\frac{9}{16} +0 -0.007$ "	.920"	.915"	.44"	.43"	1.06"	.20"	.02"	.94"
9	$\frac{5}{8} +0 -0.008$ "	1.010"	1.002"	.49"	.48"	1.17"	.22"	.02"	1.03"
10	$\frac{11}{16} +0 -0.008$ "	1.100"	1.092"	.55"	.54"	1.27"	.25"	.02"	1.13"
11	$\frac{3}{4} +0 -0.008$ "	1.200"	1.192"	.60"	.59"	1.39"	.28"	.02"	1.23"

LENGTH MARK	F ± 0.04	F MIN. LENGTH OF FULL THREAD. (5A)										
		$\frac{7}{32}$	$\frac{1}{4}$	$\frac{9}{32}$	$\frac{5}{16}$	$\frac{3}{8}$	$\frac{7}{16}$	$\frac{1}{2}$	$\frac{9}{16}$	$\frac{5}{8}$	$\frac{11}{16}$	$\frac{3}{4}$
B	.4"	.35"	.35"	.35"	.35"							
C	.6"	.55"	.55"	.55"	.55"	.55"						
D	.8"	.55"	.55"	.60"	.60"	.65"	.70"	.75"				
E	1.0"	.55"	.55"	.60"	.60"	.65"	.70"	.75"	.90"	.90"	.90"	.90"
G	1.4"	.75"	.75"	.80"	.80"	.85"	.90"	1.00"	1.00"	1.00"	1.00"	1.10"
I	1.8"	.75"	.75"	.80"	.80"	.85"	.90"	1.00"	1.00"	1.00"	1.00"	1.10"
K	2.2"	.75"	.75"	.80"	.80"	.85"	.90"	1.00"	1.00"	1.00"	1.00"	1.10"
M	2.6"	.75"	.75"	.80"	.80"	.85"	.90"	1.00"	1.00"	1.00"	1.00"	1.10"
O	3.0"	.75"	.75"	.80"	.80"	.85"	.90"	1.00"	1.00"	1.00"	1.00"	1.10"
Q	3.5"	.80"	.80"	.90"	.90"	.95"	1.05"	1.10"	1.10"	1.10"	1.10"	1.20"
S	4.0"	.80"	.80"	.90"	.90"	.95"	1.05"	1.10"	1.10"	1.10"	1.10"	1.20"
U	4.5"	.80"	.80"	.90"	.90"	.95"	1.05"	1.10"	1.10"	1.10"	1.10"	1.20"
W	5.0"	.80"	.80"	.90"	.90"	.95"	1.05"	1.10"	1.10"	1.10"	1.10"	1.20"
X	5.5"	1.00"	1.00"	1.00"	1.00"	1.00"	1.05"	1.10"	1.10"	1.10"	1.10"	1.20"
Y	6.0"	1.00"	1.00"	1.00"	1.00"	1.00"	1.05"	1.10"	1.10"	1.10"	1.10"	1.20"

BOLT N° IS A.G.S. N° SIZE MARK & LENGTH MARK, i.e.  $\frac{1}{2}$ " BOLT 1 4" LONG IS A.G.S. 868-7-G  
SCREW THREADS:- BRITISH STANDARD FINE (B.S.F.) TO B.S. SPEC. N° 84.

SPECIFICATION:- THE MATERIAL TO BE TO B.S. SPECIFICATION S.80 (LATEST ISSUE)  
THE LETTERS "SS" ARE TO BE STAMPED ON ANY ONE SIDE OF HEXAGON OF THESE PARTS, WITH EXCEPTION OF SIZE MK.I WHICH IS TO BE MADE INTO PARCELS WHICH ARE TO BE LABELLED WITH THE LETTERS "SS".

ISSUED BY DRAWING OFFICE  
DIRECTORATE OF  
TECHNICAL DEVELOPMENT  
AIR MINISTRY

TITLE:-  
B.S.F. BOLTS (STAINLESS STEEL)

DRAWN  
J. BOULGER.

RE-TRACED  
A. RICHARDSON  
2.1.39.

ISSUE N°  
ALTERN N°

CHECKED  
W.S. STARR  
3-10-30  
RC. CH

APPROVED  
G.W. 9-7-30

DRAWING AMENDMENT

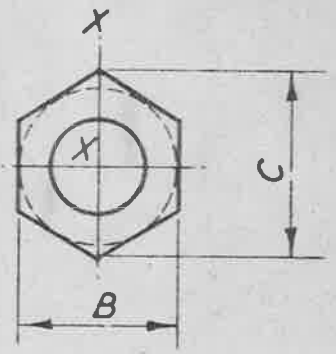
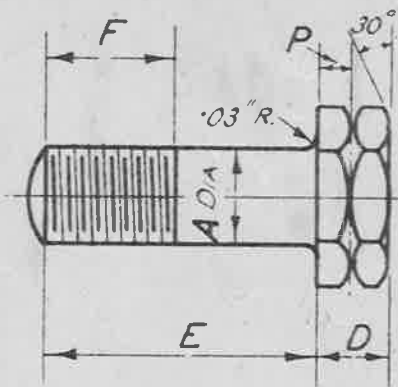
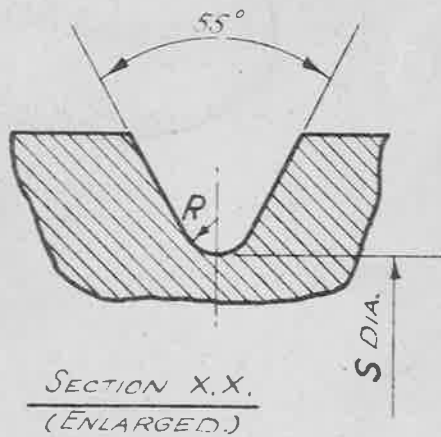
5  
5A  
Dim.  $\frac{9}{16}$  - 1/4 - 1/8

5A  
5B  
5C  
5D  
5E  
5F  
5G  
5H  
5I  
5J  
5K  
5L  
5M  
5N  
5O  
5P  
5Q  
5R  
5S  
5T  
5U  
5V  
5W  
5X  
5Y  
5Z

SIZES  $\frac{13}{16}$ " TO 1" B.S.F. (INCLUDING)  
 NOT APPLICABLE TO FUTURE DESIGNS.

AIR MINISTRY A.G.S. N° 868

SHEET N° 2 N° OF SHEETS. 2



SIZE MARK	A AND THREAD (B.S.F.)	B		D		APPROX. MAX. C	P	R	S
		MAX	MIN	MAX	MIN				
12	$\frac{13}{16} +0$ $-0.008$	1.200"	1.192"	.63"	.62"	1.39"	.28"	.04"	1.23"
13	$\frac{7}{8} +0$ $-0.009$	1.300"	1.292"	.66"	.65"	1.50"	.30"	.04"	1.33"
14	$\frac{15}{16} +0$ $-0.009$	1.390"	1.382"	.71"	.70"	1.61"	.33"	.04"	1.43"
15	$1 +0$ $-0.009$	1.480"	1.468"	.77"	.76"	1.71"	.35"	.04"	1.53"
16	$\frac{11}{8} +0$ $-0.010$	1.670"	1.658"	.88"	.87"	1.93"	.40"	.04"	1.73"
17	$\frac{11}{4} +0$ $-0.010$	1.860"	1.845"	.98"	.96"	2.15"	.45"	.04"	1.93"
18	$\frac{3}{8} +0$ $-0.010$	2.050"	2.035"	1.09"	1.07"	2.37"	.50"	.06"	2.13"
19	$\frac{1}{2} +0$ $-0.010$	2.220"	2.200"	1.20"	1.18"	2.56"	.55"	.06"	2.30"
20	$\frac{5}{8} +0$ $-0.010$	2.410"	2.390"	1.31"	1.29"	2.78"	.60"	.06"	2.50"
21	$\frac{3}{4} +0$ $-0.011$	2.580"	2.555"	1.42"	1.40"	2.98"	.65"	.06"	2.68"
22	$2 +0$ $-0.011$	2.760"	2.735"	1.53"	1.51"	3.19"	.70"	.06"	2.87"

LENGTH MARK	E +0.04 -0	F. MIN. LENGTH OF FULL THREAD.										
		$\frac{13}{16}$	$\frac{7}{8}$	$\frac{15}{16}$	1	$\frac{1}{8}$	$\frac{1}{4}$	$\frac{3}{8}$	$\frac{1}{2}$	$\frac{5}{8}$	$\frac{3}{4}$	2"
E	1.0"	.90"	—	—	—	—	—	—	—	—	—	—
G	1.4"	1.10"	1.20"	1.20"	1.20"	1.30"	—	—	—	—	—	—
I	1.8"	1.10"	1.30"	1.30"	1.30"	1.70"	1.70"	1.70"	1.70"	—	—	—
K	2.2"	1.10"	1.30"	1.30"	1.30"	1.70"	1.90"	2.00"	2.10"	2.10"	2.10"	—
M	2.6"	1.10"	1.30"	1.30"	1.30"	1.70"	1.90"	2.00"	2.10"	2.30"	2.50"	2.50"
O	3.0"	1.10"	1.30"	1.30"	1.30"	1.70"	1.90"	2.00"	2.10"	2.30"	2.50"	2.70"
Q	3.5"	1.20"	1.40"	1.40"	1.40"	1.80"	2.00"	2.10"	2.20"	2.40"	2.60"	2.80"
S	4.0"	1.20"	1.40"	1.40"	1.40"	1.80"	2.00"	2.10"	2.20"	2.40"	2.60"	2.80"
U	4.5"	1.20"	1.40"	1.40"	1.40"	1.80"	2.00"	2.10"	2.20"	2.40"	2.60"	2.80"
W	5.0"	1.20"	1.40"	1.40"	1.40"	1.80"	2.00"	2.10"	2.20"	2.40"	2.60"	2.80"
X	5.5"	1.20"	1.40"	1.40"	1.40"	1.80"	2.00"	2.10"	2.20"	2.40"	2.60"	2.80"
Y	6.0"	1.20"	1.40"	1.40"	1.40"	1.80"	2.00"	2.10"	2.20"	2.40"	2.60"	2.80"

BOLT N° IS A.G.S. N° SIZE MARK & LENGTH MARK, I.E. 1" BOLT, 4" LONG IS A.G.S. 868-15-S.  
 SCREW THREADS:- BRITISH STANDARD FINE. (B.S.F.) TO B.S. SPEC. N° 84.

SPECIFICATION:- THE MATERIAL TO BE TO B.S. SPECIFICATION S.80. (LATEST ISSUE)

THE LETTERS "S.S." ARE TO BE STAMPED ON ANY ONE SIDE OF HEXAGON  
 OF THESE PARTS.

OFFICE.	TITLE:- B.S.F. BOLTS. (STAINLESS STEEL)					DRAWN J. BOULGER	RE-TRACED. J. STEVERS 2-1-39
ISSUE N°	X	2	3	4	5	CHECKED W.S. STARK	APPROVED. G.W. 3-10-30
ALTERATION N°	A.G.S. 295	D.S. 57	A.S. 183/28	MOD. N° 455	MOD. N° 413	RE-CH'L. FLETCHER 2-3-39	

25-9-30  
 F.S. WIGLEY