

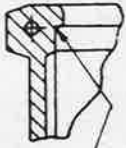
A.G.S. 904 - SHEET .1.

| | | |
|---------|-------|----|
| REVISED | DATE | BY |
| 20 | F.2. | |
| 21 | F.51. | |
| | | |
| | | |

SM 1092.

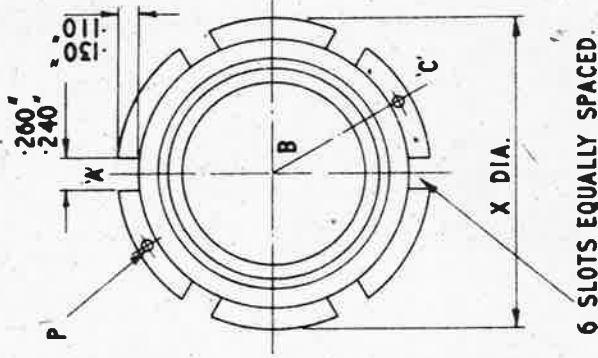
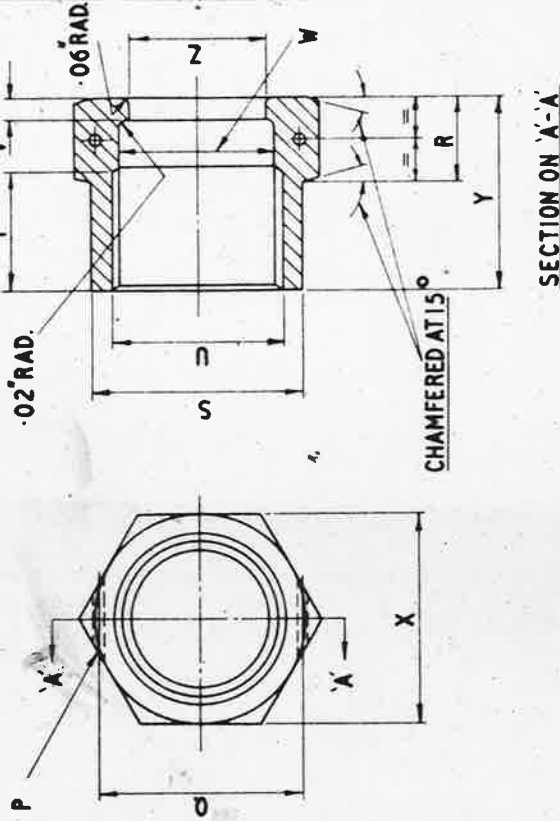
MARKS A TO H

AGS. 904 MK.B IS CANCELLED REPLACED BY AGS. 2111.



CORNER TO BE SQUARE

SCRAP VIEW FOR MARK 'A' ONLY.



MARK J

NOTE: IF ANY DIFFICULTY IS EXPERIENCED IN FITTING AGS. 2111 AS A REPLACEMENT FOR AGS. 904 MK.B DUE TO THE INCREASE OF .11" ON DIMENSION 'X', AGS. 954 MK.B (STEEL) MAY BE SUITABLE.

SEE A.G.S. 100 FOR GENERAL INFORMATION.
B.S.P.F. THREADS TO B.S. SPEC. 2779 MEDIUM FIT.

| | | | | |
|------|---------------------|--------------|-------------|------------------|
| REF. | DRAWING OR PART No. | ALUMI. ALLOY | DESCRIPTION | MATERIAL-REMARKS |
| | | | | |
| | | | | |

| PT | R. S. | NO | SCALE | LIMITS NOT SHOWN | THIRD ANGLE PROJECTION |
|----|-------|----|-------|------------------|------------------------|
| | 116 | | | | |
| | | | | | |

PIPE COUPLINGS (ALUMI. ALLOY) OUTER SLEEVE A.G.S. 904 - SHEET 1.

ISSUED BY THE SOCIETY OF BRITISH AIRCRAFT ENGINEERS LTD., 18, RANG STREET, ST. JAMETZ, LONDON, S.W.1

DATE 19/11/57

DESIGNED BY F.A.C.

TRACED BY F.A.C.

CHECKED BY F.A.C.

APPROVED BY H.T.

USED ON