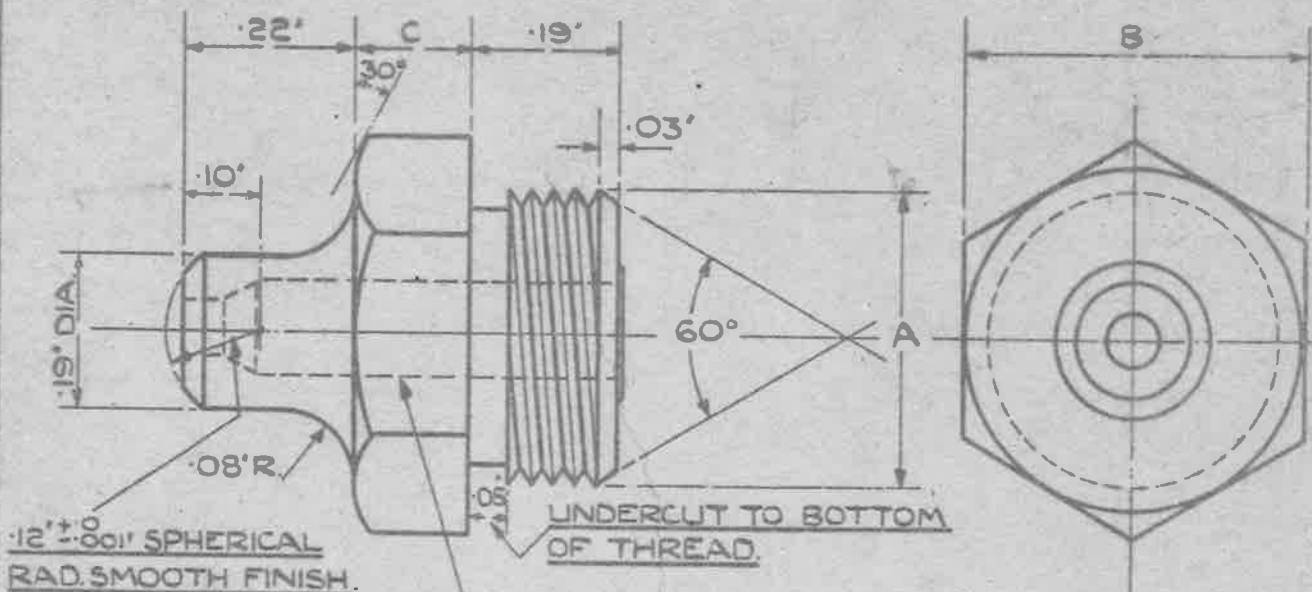


EXCLUDED FROM NEW DESIGNS BY 5DM N° 28 (LATEST ISSUE)
RETAINED ONLY FOR PROVISIONING FOR SPARES.



.12" ± .001" SPHERICAL RAD. SMOOTH FINISH.

UNDERCUT TO BOTTOM OF THREAD.

TO BE COMPLETE WITH INTERIOR MECHANISM TO SUIT ENOTS 'AUTOLUB' OR TECALEMIT'S 'TECAZERK' GREASE GUN.

MARK.	A	B	C		
1	1/8" B.S.P.	.441" .445"	.15"		
2	1/4" B.S.F.	.278" .282"	.10"		

SPECIFICATION :-

THE MATERIAL TO BE TO B.S.SPEC: 5.61 (LATEST ISSUE), OR B.S.SPEC:32, GRADE 1 OR 2, FINISH, CADMIUM PLATED TO SPEC: D.T.D. 904, (LATEST ISSUE).

SCREW THREADS TO B.S. SPEC: N° 84 - 1940, MEDIUM FIT.

ALL UNLIMITED DIMENSIONS
 TO BE ± .005"

ISSUE N°	19	7
ALTERATION N°	AGS/663	AGS/684

ISSUED BY
 ROYAL
 AIRCRAFT

TITLE:- LUBRICATION NIPPLE.

DRAWN
 G.H. ORMSTON

RETRACED
 P.L.N.
 9-1-39

CHECKED

APPROVED