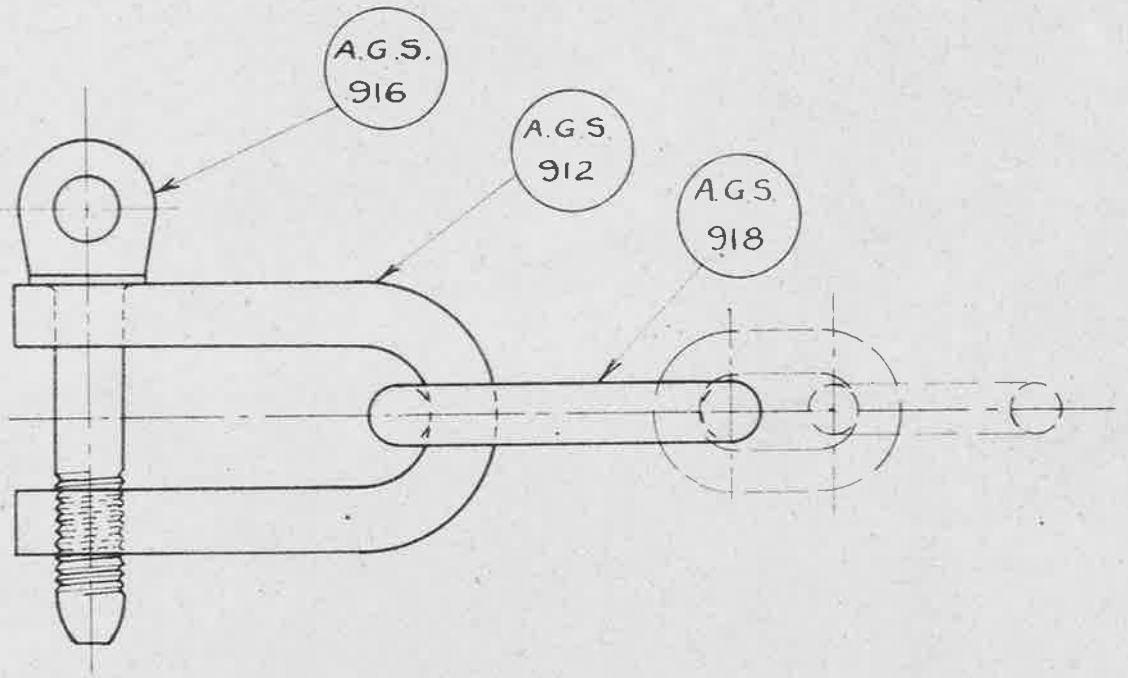
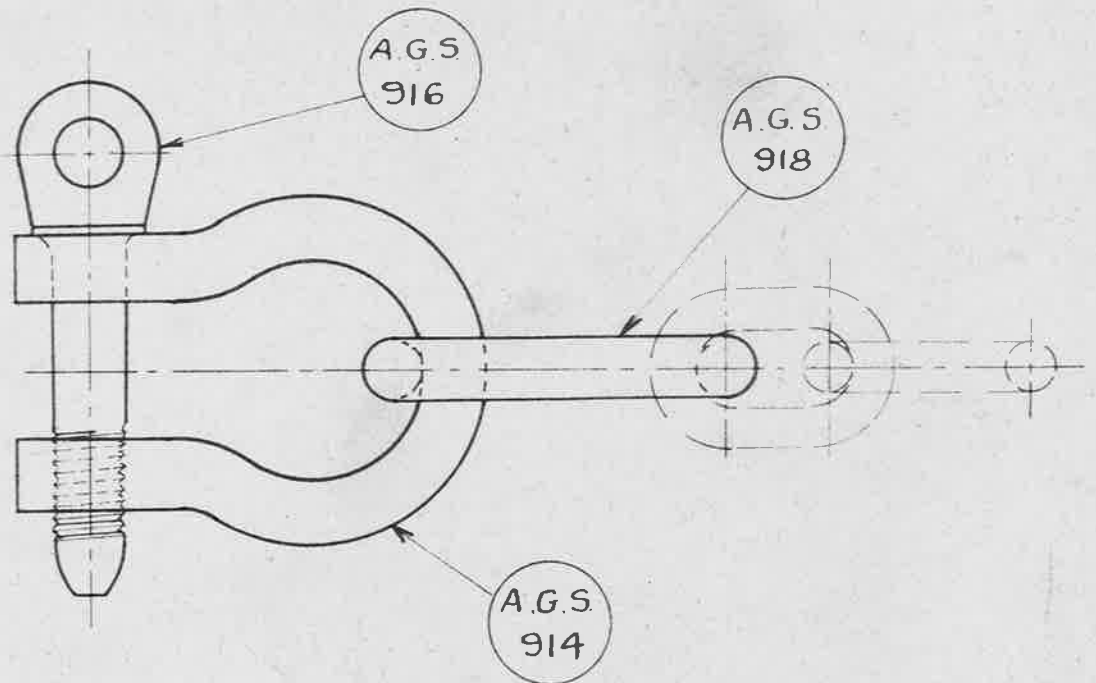


(P)

6.10.36.
391372/36



DEE SHAPE.



HARP SHAPE.

| | | | | | | | |
|--|---|------------|--|--|--------------------------------|--|-------------|
| ISSUED BY DRAWING OFFICE DIRECTORATE OF TECHNICAL DEVELOPMENT AIR MINISTRY | TITLE— CHAIN SHACKLES FOR ANCHOR CABLES (ASSEMBLY) | | | | RETRACED FOR A.P.C. RAHL | DRAWN <i>M. S. Sheppard</i> | TR W.V. |
| | ISSUE No. | 391372/36 | | | | CHECKED 20/10/36 <i>M. S. Sheppard</i> | AP G. S. |
| | ALTERATION | AGS 302 | | | | | |