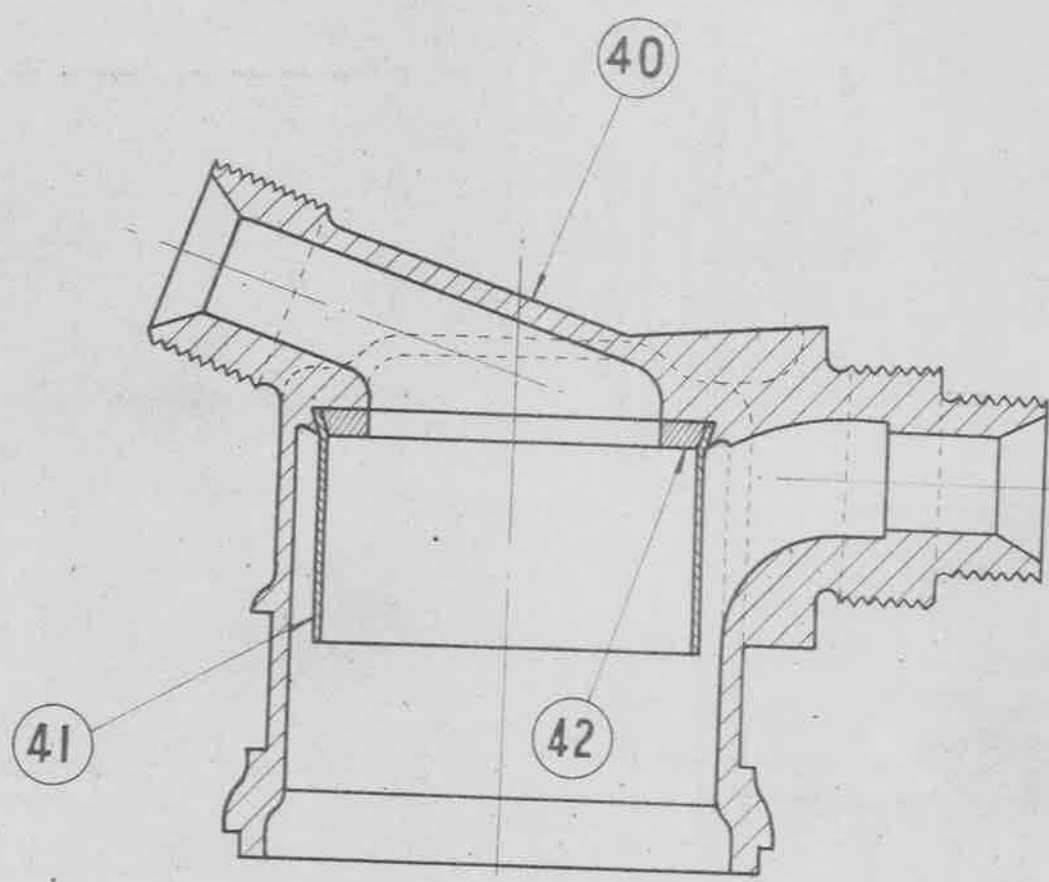


P)

OBSOLESCE



SECTION OF BODY.

SHOWING ALTERNATIVE SCREEN IN POSITION

AGS 939		DESCRIPTION	N° OFF	REMARKS
PT.	SHT.			
40	18	FILTER CASING (TOP)	1	ALTERNATIVE TO ITEMS 1 & 3
41	18	FILTER SCREEN	1	
42	18	PACKING PIECE	1	

ISSUED BY THE ROYAL AIRCRAFT ESTABLISHMENT.	TITLE :- R.A.E. PETROL FILTERS SHALLOW SUMP TYPE				DRAWN	TRADED J. WANNAN
	ISSUE N°	1	2		CHECKED	APPROVED
	ALTERN N°	MOD N° AGS584	AS N° AGS111			