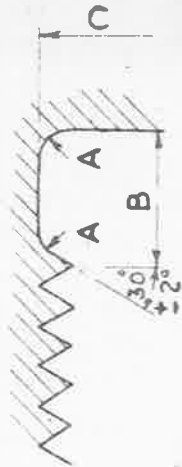


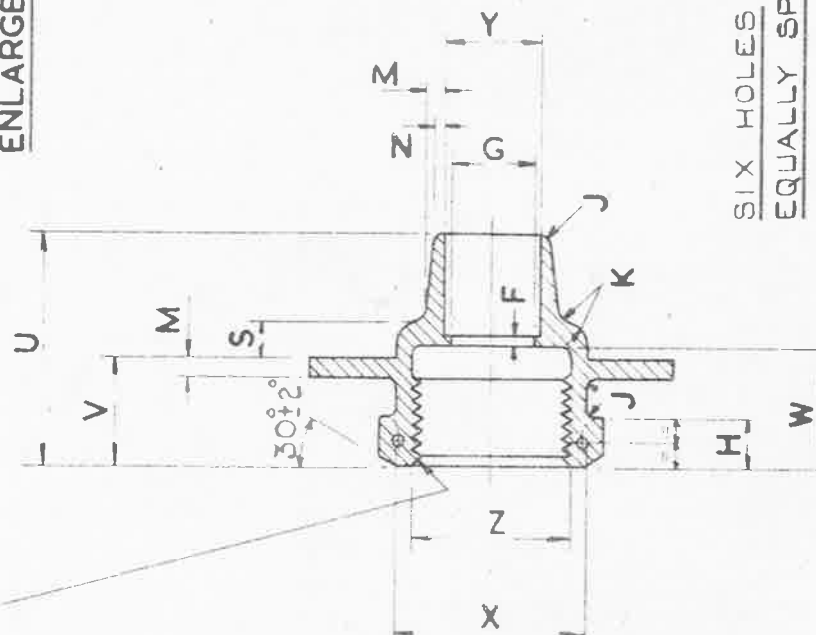
FOR MARK J ONLY,
EIGHT HOLES EQUALLY
SPACED & EIGHT FLATS

A.G.S. 959/* TO BE LEGIBLY
AND DURABLY MARKED ON
THIS OR OPPOSITE FACE.
(* MARK N^o).

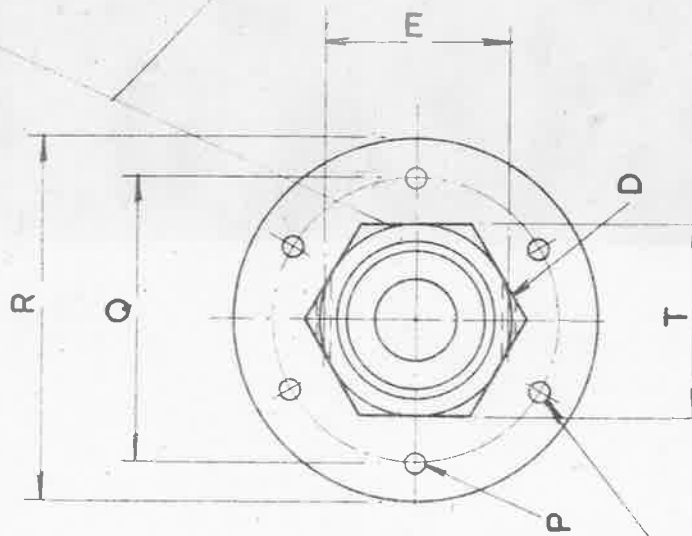
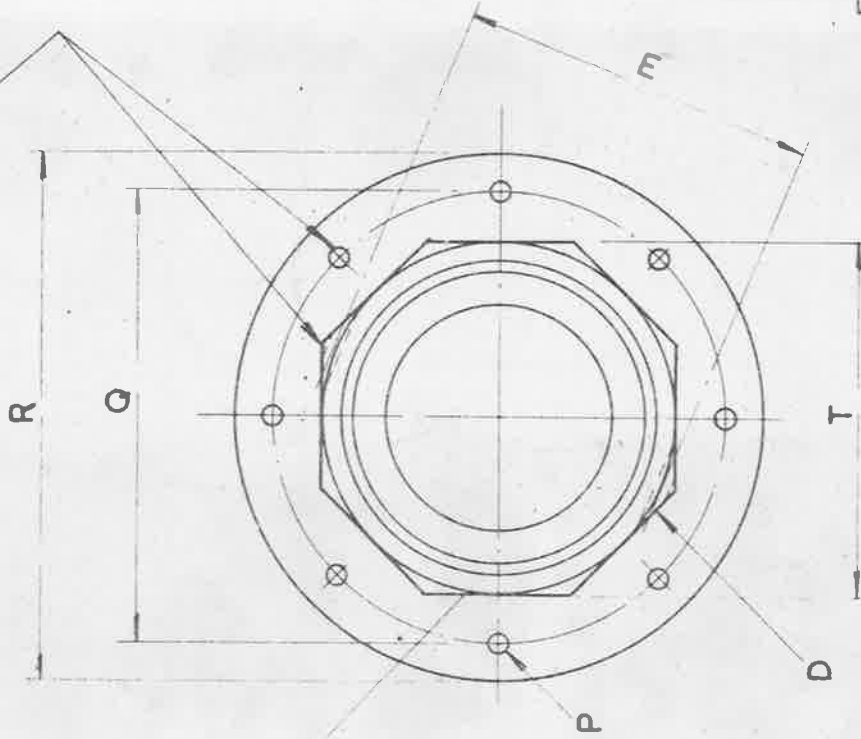


ENLARGED VIEW OF UNDERCUT

30°±2° CHAMFER TO
ROOT OF THREAD.



SIX HOLES
EQUALLY SPACED.



MATERIAL: LIGHT ALLOY TO BS SPEC. L-1, L-33, DTD 423 OR 424, (LATEST ISSUES).

FINISH: ANODISE TO SPEC. N^o DTD 910, (LATEST ISSUE).

NOTE: SCREW THREADS TO BS SPEC. N^o 84 - 1940, MEDIUM FIT.

NOTE: ALL SHARP EDGES AND BURRS TO BE REMOVED.

SM364

TITLE: SPECIAL FEMALE
FLANGES (LIGHT ALLOY)

ISSUE 9

ALT. N^o Mod/AGS
8/11

MINISTRY OF SUPPLY

R.A.E. APPROVAL

AD. S.A.E. APPROVAL

APPLICATIONS FOR A.G.S. SHEETS TO:
A.T.P.4A. THAMES HOUSE, MILLBANK, S.W.1.

SIGNATURE

DATE

SIGNATURE

DATE

SHEET N^o

1

N^o OF SHEETS

2

A.G.S. N^o 959

MARK	Z	Y	X	W	V	U	T	S	R	Q	P	N	M	K	J	H	G	F	E	D	C	B	A
N ^o	BSP. THREAD	±.005	±.01	±.01	±.01	±.01	MAX MIN	±.005	±.005	±.015	DRILL	±.005	±.005	±.01	±.005	±.005	DRILL	±.005	±.01	DRILL	±.005	±.01	±.005
A	1" 8	.250	.40	.35	.85	.71	.705	.15	1.50	1.10	7/64	.05	.10	.08	.03	.18	3/16	.05	.67	1/16	.518	.13	.025
B	1" 4	.375	.50	.45	.97	.82	.815	.16	1.70	1.30	7/64	.05	.10	.08	.03	.22	5/16	.05	.79	1/16	.656	.13	.025
C	3/8	.500	.62	.55	1.20	1.01	1.002	.18	1.90	1.50	7/64	.05	.10	.08	.03	.25	7/16	.05	.96	1/16	.825	.18	.035
D	1 1/2	.625	.72	.65	1.44	1.10	1.092	.18	2.00	1.60	7/64	.05	.10	.08	.03	.28	9/16	.05	1.06	1/16	.902	.18	.035
E	5/8	.750	.75	.65	1.60	1.20	1.192	.23	2.10	1.70	7/64	.05	.10	.08	.03	.31	11/16	.05	1.17	1/16	1.041	.18	.035
F	3/4	.875	.77	.67	1.74	1.39	1.382	.23	2.25	1.85	7/64	.05	.10	.08	.03	.33	13/16	.05	1.37	076 (N ^o 48)	1.189	.18	.035
G	7/8	1.000	.80	.70	1.90	1.48	1.468	.23	2.35	1.95	7/64	.05	.10	.08	.03	.35	15/16	.05	1.47	076 (N ^o 48)	1.309	.23	.045
H	1	1.250	.90	.80	2.25	1.86	1.845	.23	2.75	2.35	7/64	.05	.10	.08	.03	.41	1 3/16	.05	1.85	076 (N ^o 48)	1.650	.23	.045
J	1 1/4																						
K	1 1/2																						
M	2																						
P	2 1/2																						

TITLE:- SPECIAL FEMALE FLANGES (LIGHT ALLOY)

ISSUE 1

ALT.N^o MOD.AG.S. 811

MINISTRY OF SUPPLY

APPLICATIONS FOR A.G.S. SHEETS TO: ATP.4A. THAMES HOUSE, MILLBANK, S.W.1.

GENERAL INQUIRIES TO:- A.D. S.A.E. THAMES HOUSE, MILLBANK, S.W.1.

R.A.E. APPROVAL

SIGNATURE DATE 16.5.50

SHEET N^o 2

N^o OF SHEETS 2

A.D. S.A.E. APPROVAL

SIGNATURE DATE 7/9/50

A.G.S. N^o 959