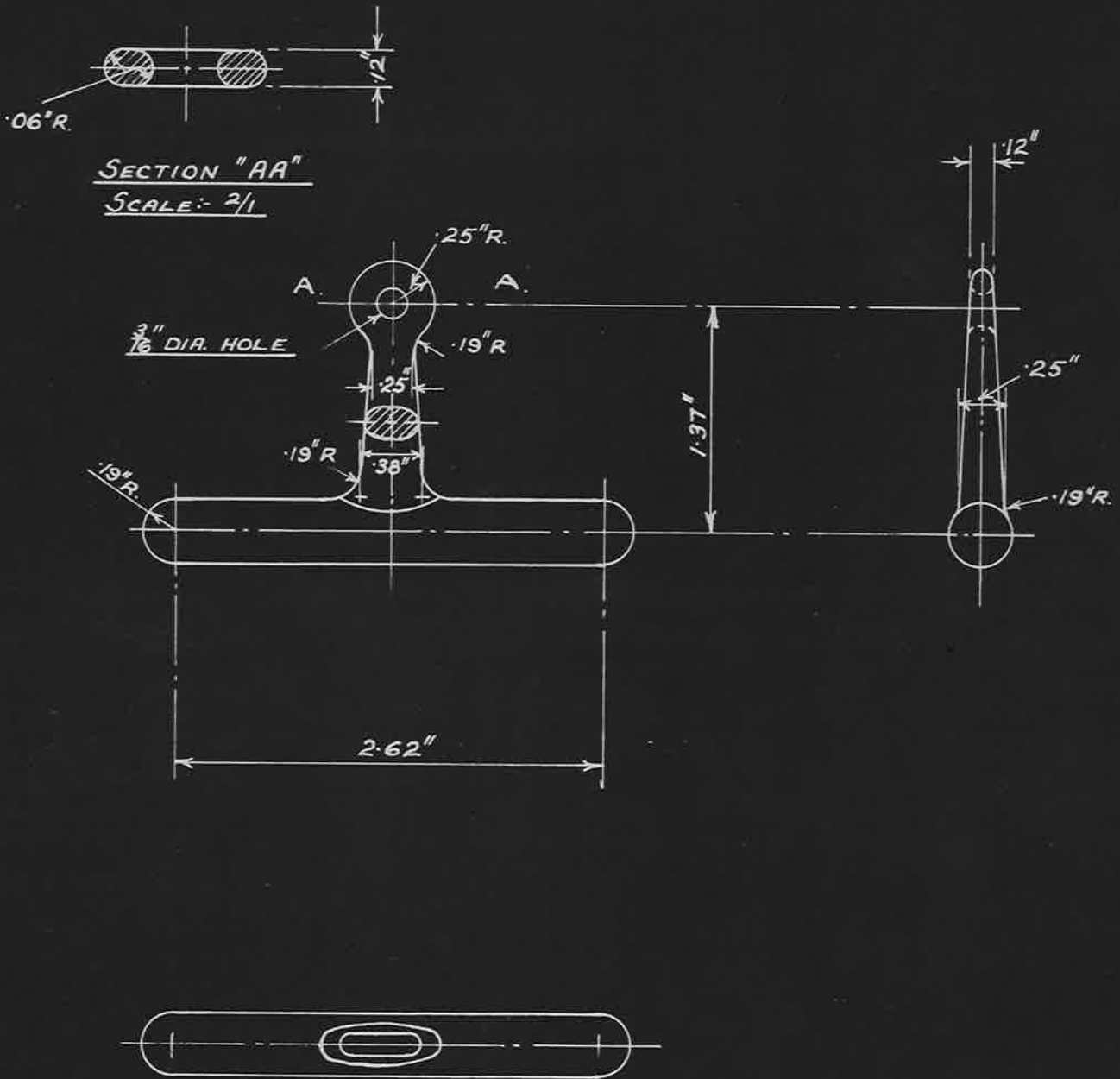


30-3-38  
754602/38



THE MATERIAL TO BE ALUMINIUM ALLOY  
CASTING SPECIFICATION L33 OR D.T.D. 424. (LATEST ISSUES)

FINISH:- ANODICALLY TREATED TO D.T.D. SPECIFICATION  
No 910.

ISSUED BY DRAWING OFFICE DIRECTORATE OF TECHNICAL DEVELOPMENT AIR MINISTRY	TITLE— <u>CLUTCH CABLE GRIP.</u>		RETRACED FOR A.P.C. R.H.K. S.E.C.	DRAWN G.T. REYNOLDS	RE-TRACED D.E. HALL 18-1-39
	ISSUE No.	+ 2		CHECKED H.T. HOAR	APPROVED G.W. 16-3-38
	ALTERATION	Mod. No. 145 No. 1965/356	1965/224	RE-CHECKED G.T. REYNOLDS	
	4-4-38 27-11-40			3-2-39	