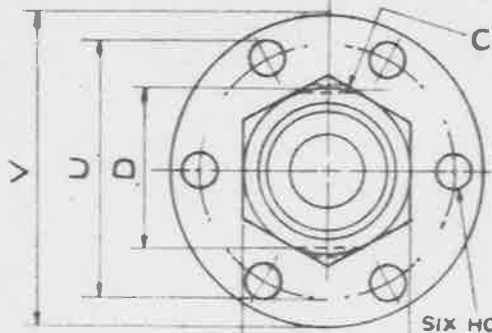
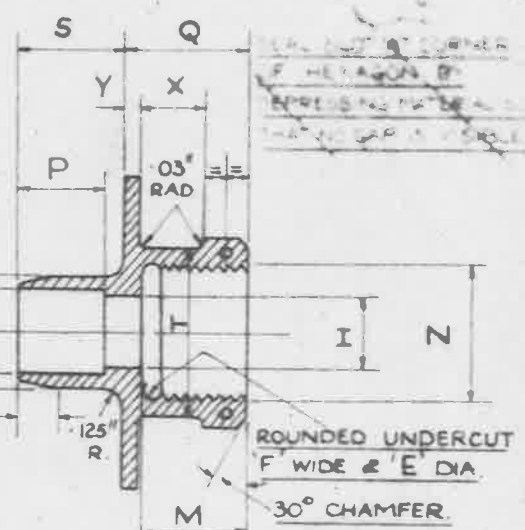


FOR MARKS J & K ONLY, EIGHT HOLES $\frac{13}{64}$ DIA. EQUALLY SPACED AND EIGHT FLATS.



SIX HOLES $\frac{13}{64}$ DIA. EQUALLY SPACED.



	Z	Y	X	W	V	U	T	S	Q	P	M	K	J	H	F	E	D	C	
A	1.00	0.85	0.70	0.520	0.525	1.42	0.025	0.495	0.50	0.60	0.40	0.47	0.34	0.187	0.18	0.05	0.383	0.48	0.16
B	1.00	0.85	0.70	0.705	0.710	1.50	0.10	0.63	0.50	0.60	0.40	0.47	0.40	0.250	0.26	0.07	0.518	0.67	0.16
BB	1.00	0.85	0.70	0.760	0.765	1.60	0.20	0.71	0.50	0.67	0.40	0.54	0.47	0.312	0.32	0.07	0.600	0.73	0.16
C	1.00	0.85	0.70	0.815	0.820	1.70	0.30	0.77	0.52	0.67	0.42	0.54	0.53	0.375	0.38	0.07	0.656	0.79	0.16
CC	1.00	0.85	0.70	0.915	0.920	1.80	0.40	0.87	0.58	0.70	0.46	0.57	0.59	0.437	0.44	0.10	0.750	0.92	0.16
D	1.00	0.85	0.70	1.002	1.010	1.90	0.50	0.99	0.65	0.75	0.53	0.62	0.66	0.500	0.51	0.10	0.825	0.96	0.16
E	1.00	0.85	0.70	1.092	1.100	2.00	0.60	1.06	0.79	0.85	0.67	0.72	0.78	0.625	0.63	0.10	0.902	1.06	0.16
F	1.00	0.85	0.70	1.192	1.200	2.10	0.70	1.18	0.95	0.90	0.80	0.77	0.90	0.750	0.76	0.10	1.041	1.17	0.16
G	1.00	0.85	0.70	1.382	1.390	2.25	0.85	1.34	1.07	0.95	0.92	0.82	1.03	0.875	0.88	0.10	1.189	1.37	0.16
H	1.00	0.85	0.70	1.468	1.480	2.35	0.95	1.46	1.20	0.95	1.05	0.82	1.16	1.000	1.01	0.13	1.309	1.47	0.16
J	1.00	0.85	0.70	1.845	1.860	2.75	1.35	1.80	1.45	0.95	1.30	0.82	1.41	1.250	1.26	0.13	1.650	1.85	0.16
K	1.00	0.85	0.70	2.200	2.220	3.15	2.10	2.10	1.60	1.00	1.55	0.87	1.66	1.500	1.51	0.13	1.882	2.14	0.16

THE MATERIAL TO BE STEEL TO B.S. SPEC S1 (LATEST ISSUE)

FINISH:- TO BE CADMIUM PLATED TO SPEC DTD 904 (LATEST ISSUE)

NOTE:- SCREW THREADS TO B.S SPEC NO 84-1940, MEDIUM FIT.

ISSUED BY THE ROYAL AIRCRAFT ESTABLISHMENT	TITLE:- FEMALE FLANGES (BOLTED) WITH SPIGOT - (STEEL)			DRAWN	TRACED
	ISSUE NO	2	3	CT Reynolds	DP 23-2-44
ALTERN NO	AGS 1543	AGS 371	AGS 663	CHECKED	APPROVED