

11-9-46
Res. Ags. 142.

MINISTRY OF SUPPLY

AGS. No. 990

SHEET No. 1

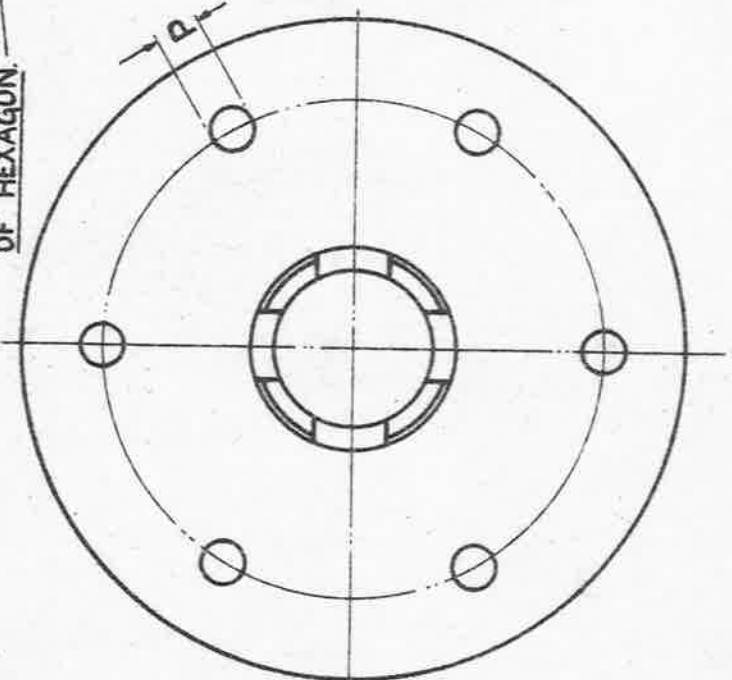
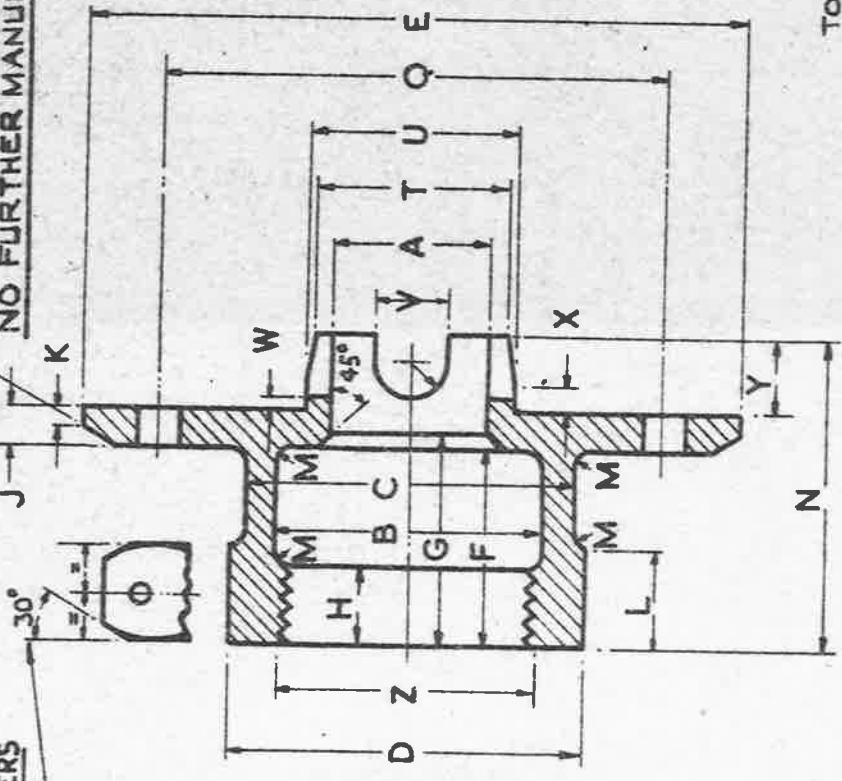
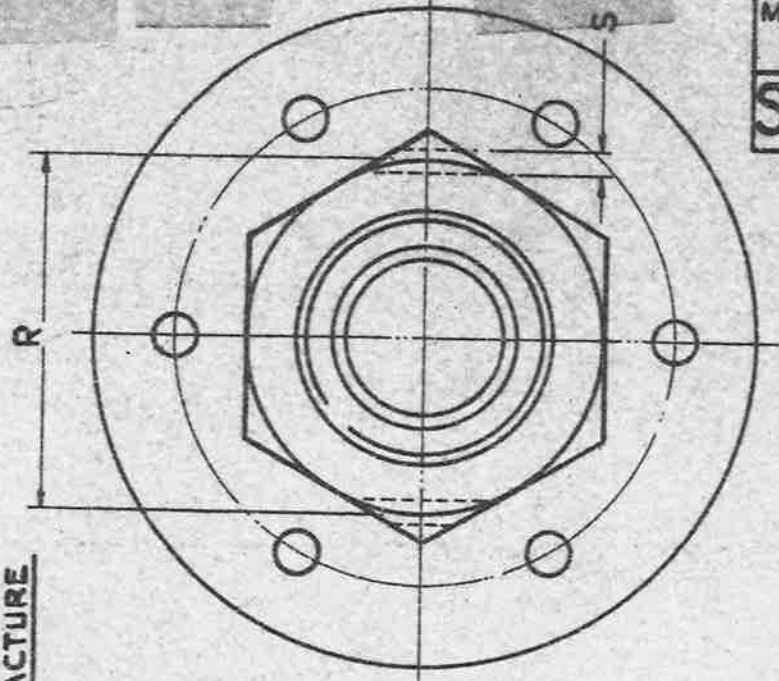
No. OF SHEETS 1

OBSOLESCENT

NO FURTHER MANUFACTURE

FOR ASSEMBLY SEE AGS. 989

CHAMFER ON CORNERS OF HEXAGON.



FINISH :-

TO BE CADMIUM PLATED TO SPEC:
D.T.D. 904, (LATEST ISSUE),
ALTERNATIVELY, ELECTRO-TINNED,
THICKNESS NOT LESS THAN .0002".

SPECIFICATION :-
MATERIAL :- BRASS TO B.S. 932 OR B.S. 1028 (LATEST ISSUES).
SCREW THREADS TO BE IN ACCORDANCE WITH B.S. SPEC. 84-1940 FOR B.S.P. MEDIUM FIT.

MARK	Z	A	B	C	D	E	F	G	H	J	K	L	M	N	P	Q	R	S	T	U	V	W	X	Y
	B.S.P. THREAD	DRILL $\pm .01$	$\pm .01$	$\pm .01$	MAX. MIN.	$\pm .015$ -0	$\pm .01$ -0	$\pm .01$ -0	$\pm .01$ -0	$\pm .01$ -0	$\pm .01$ -0	$\pm .01$ -0	$\pm .01$ -0	$\pm .01$ -0	DRILL $\pm .015$	$\pm .01$	$\pm .01$	DRILL $\pm .01$	$\pm .01$	$\pm .01$	$\pm .01$	$\pm .01$	$\pm .01$	$\pm .01$
	$3/8$	$13/32$.69	.84	.920	.915	.52	.55	.20	.10	.05	.25	.04	.81	$7/64$	1.30	.92	$1/16$.50	.55	.19	.02	.06	.20

ISSUED BY THE ROYAL AIRCRAFT ESTABLISHMENT

TITLE :- WATER DRAIN PLUGS FOR FUEL TANKS - BODIES.

ISSUE NO	14.8.46	10	2	3
ALTER ^N NO	MOD. NO. AGS. 592	A.S. NO. AGS. 663	MOD. NO. AGS. 902	

DRAWN W.P. Snell

CHECKED Smith

TRACED J. Bolton 26-5-46

APPROVED J.M.R. 30/5/46